

# W/LX Series



## Electric Walkie Pallet Trucks

24 Volt AC-Powered  
4,500 lbs. Capacity

**UNICARRIERS**<sup>®</sup>  
— FORKLIFT —

# NEVER QUIT.

YOUR JOB DOESN'T STOP, AND NEITHER SHOULD YOUR FORKLIFTS.  
THAT'S WHERE WE COME IN.

Your application isn't just picking product from aisles upon aisles. There's loading docks, freezers and ramps and moving that product where it needs to go all while operators are constantly getting on and off the trucks for all the daily tasks that keeps business moving.

Flexibility is the name of the game. And that's where the WLX excels.

Power:

24V AC Electric

Maneuverability:

Delivers the agility and responsiveness needed for tight situations

Environment:

Industry-leading turning radius delivers maximum performance

Travel Distance:

Short to medium distance

Lift:

9.2 in. from ground



## WLX Series In Your Application

Performance, reliability, control, safety and comfort – the WLX incorporates them all to excel in a wide-range of fast-paced industrial applications, such as:

- Distribution
- Grocery Stores / Wholesale
- Bottling Operations
- General Warehousing
- Retail Stores
- Manufacturing

# Control: YOUR PRODUCTS DESERVE PURE PRECISION. WE PUT IT AT YOUR FINGERTIPS.

## Amazing Agility

UniCarriers incorporated user preferences into the WLX to deliver faster, easier pinwheel turning and right angle stacking within the confines of 96" wide trailers.\*

\*WLX45S Model with 48" nominal length forks



## Room To Maneuver

An industry leading 59.4" turning radius with 48" nominal length forks\*.

## Easy In, Easy Out

Contoured, tapered fork tips and slides are designed for fast, easy pallet entry & exit — even on unloaded pallets.



## Visibly Better

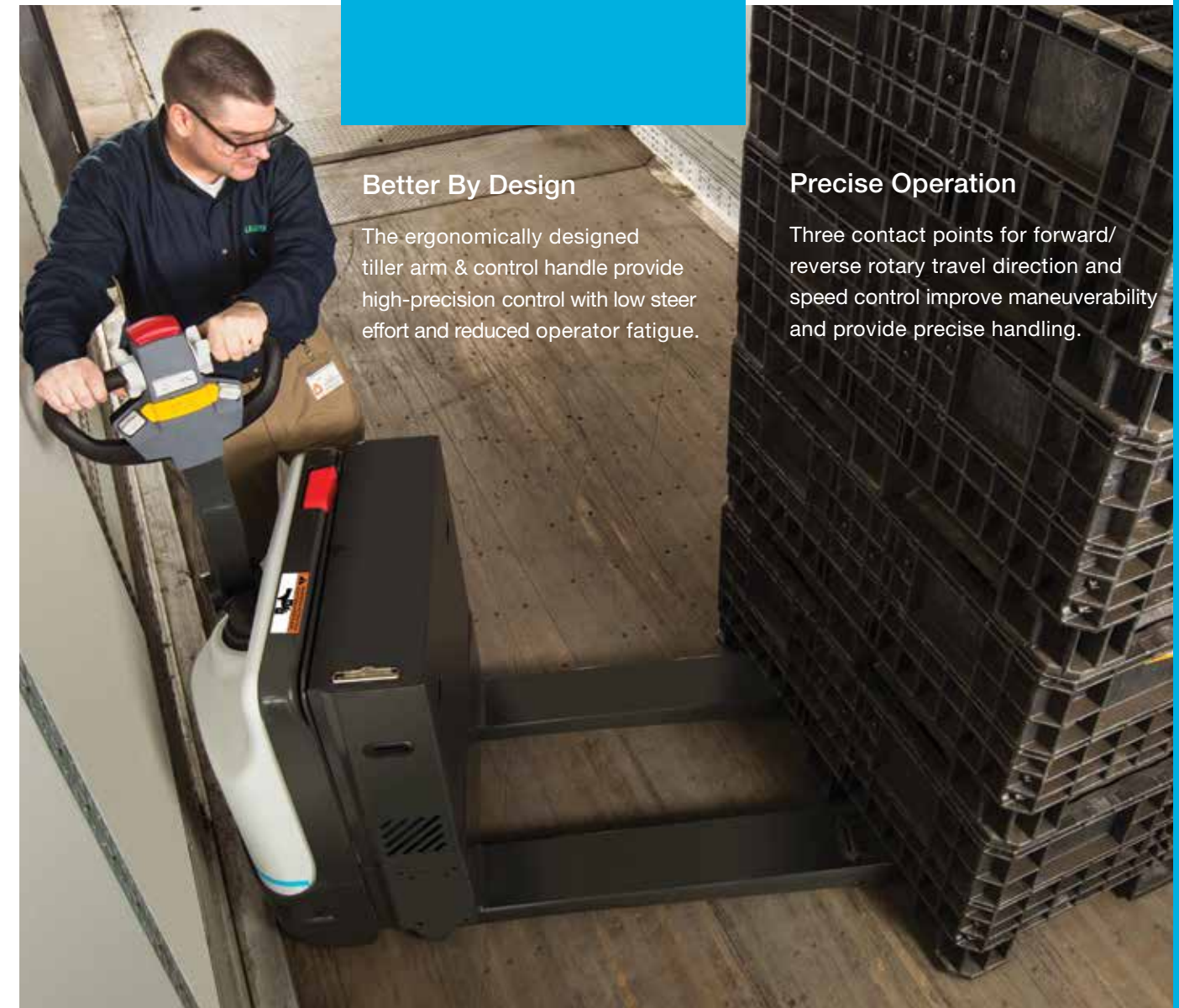
Designed with a smaller head length than competitive models, the contoured and compact design will improve maneuverability & provide excellent fork tip visibility.

## Easy Does It

Tiller-up drive switch engages creep speed for precise load positioning and pinwheel turning with the handle in a vertical position.

## Reaching New Heights

An industry-leading 5.9" lift height provides plenty of clearance over dock plates, ramp angles and uneven floors.



## Better By Design

The ergonomically designed tiller arm & control handle provide high-precision control with low steer effort and reduced operator fatigue.

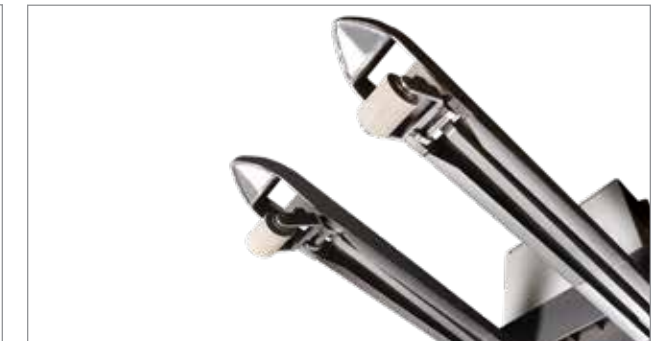
## Precise Operation

Three contact points for forward/reverse rotary travel direction and speed control improve maneuverability and provide precise handling.

# Performance: YOUR APPLICATION DESERVES BOTH POWER AND EFFICIENCY.

## The Drive To Succeed

Amazing reliability and energy efficiency are the hallmarks of our heavy-duty, high-output 1.5kW AC drive motor. It's vertically mounted to eliminate cable flexing — and delivers high starting torque and plenty of power.



## Improved Load Stability

The heavy-duty, solid, one-piece lower torque tube and trapezoidal lift system are designed for even distribution of lift forces. The result is improved load stability and easier handling even when working with off-center loads.

## Strong & Stable Performance

Wide mounted, reversible/replaceable wear blocks (skid bars) provide added stability — and help prevent damage to the truck, pallets and products you're moving.

## More Power To You

24-volt electrical system delivers efficient power for maximum work performance and run time — providing longer work cycles, reducing downtime and delivering more productivity.

## Lifts High And Fast

The WLX features an exceptional 2.36"/second lift speed and an industry leading 5.9" lift height that can only be achieved by a heavy-duty hydraulic motor, integral pump and high capacity reservoir.

## Solid Steel Pushrods

The maintenance-free push rods on the WLX eliminate the adjustment required by pull-rod designs — and are protected against possible damage.

## Benefits Of Moving To Lithium-Ion Technology:

- Fast charging throughout the course of the shift during breaks allows the truck to stay charged when customers need it.
- Li-Ion Batteries are smart power solutions designed to communicate directly with the truck, resulting in increased efficiency and output.
- The Li-Ion solution is completely maintenance free, which can help reduce the total overall cost of ownership and the downtime associated with maintaining and caring for traditional lead acid batteries.
- Battery life expectancy of up to 5,000 full cycles (vs. 900 to 1,200 cycles in lead-acid batteries)
- No gas is produced during charging and no acid is contained in the battery as compared with conventional lead-acid batteries.



## High/Low Travel Speed Control

Rabbit/Turtle speed switch allows the operator to select the appropriate speed for the operating environment — and may be adjusted by a service technician to help meet the needs of your application.



## Pick Up The Pace

With variable walking travel speeds, you'll get more work cycles — and greater productivity — out of every shift.

## Sealed For Your Protection

An IP65 rated controller combined with sealed harness connectors and logic boards provide dependable, efficient operation in wet, cold environments down to -4°F (-20° C).

Note: Equipping this model (these models) with a power source (e.g., Lithium-Ion, Hydrogen Full cells, etc.) that has not been approved by the factory is considered a modification. Per OSHA 1910.178 and ANSI/ITSDF B56.1, please consult with you factory representative prior to installing any non-OEM power source that has not been previous approved.

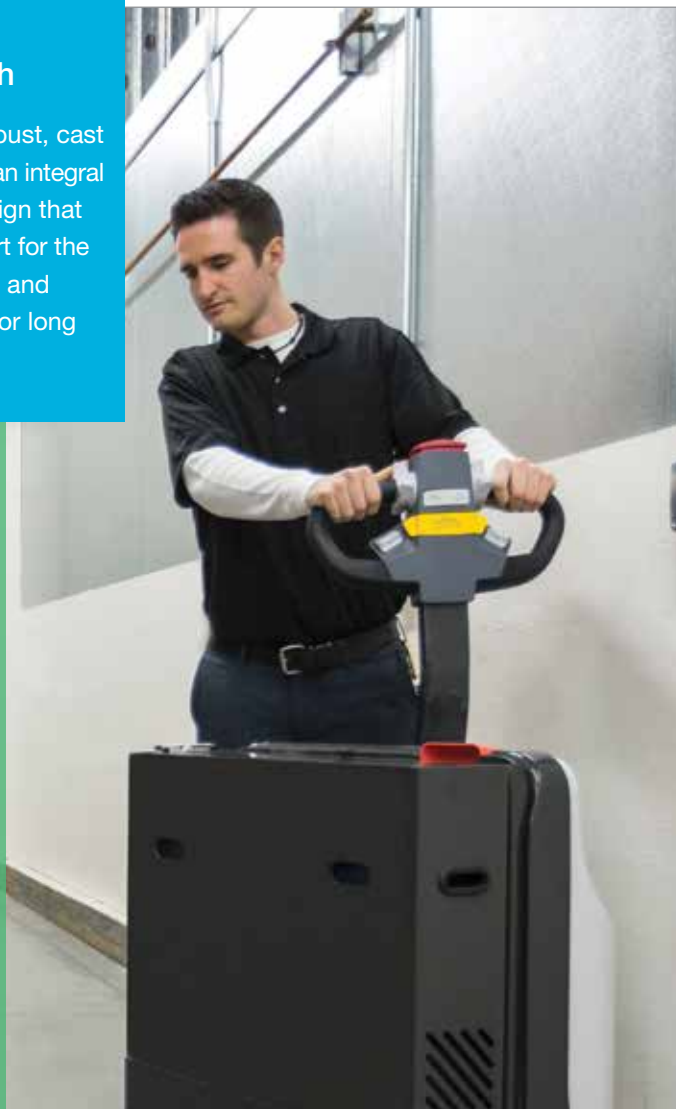
# Reliability:

YOUR FORKLIFT NEEDS TO BE READY WHEN YOU NEED IT. UPTIME IS NOT OPTIONAL.



## Enduring Strength

The WLX features a robust, cast iron central frame with an integral lift cylinder — it's a design that provides strong support for the motors and lift systems and exceptional durability for long service life.



## Maintenance-Free Performance

The gearbox is maintenance free with gears permanently lubricated in a sealed unit to minimize service and extend life.

The fork assembly features:

- Heavy-duty steel push rods — built to last, shielded from potential damage and never need adjustment
- Sealed, self-lubricating, filament-wound fiber bushings that are totally maintenance free

## Made To Handle Tough Punishment

The control handle is made from a tough, durable composite plastic and reinforced with fiberglass to protect against dirt and moisture, minimize component wear and extend service life.

## We've Eliminated Parts... And Service Requirements

Non-contact Hall Effect sensors mean there are no mechanical switches or potentiometers to service or wear out. Scheduled maintenance requirements have been reduced to lower cost of ownership.

## A Material Difference

Lift cylinder rod is chrome plated, providing superior resistance to both wear and corrosion.

## Reliability Unharnessed

The Controller Area Network (CAN-Bus) system on the WLX uses just four wires for communications between the control handle and the truck's controller. With fewer wires and connectors than the wire harnesses used by some competitors, it offers superior performance and greater reliability ... with fewer parts to wear, service and replace.

# Comfort:

YOUR OPERATOR SHOULD BE AS PRODUCTIVE AT THE END OF THE SHIFT AS AT THE BEGINNING.



## One Size Fits All

The tiller arm is ergonomically designed to optimize operator comfort, reduce fatigue — and has been optimized for operators from the 5th through 95th percentile range in height.

## The Brake Is Automatically Engaged When The Truck Isn't

The automatic parking brake engages whenever the truck is stationary and no throttle command is given — the brake is magnetically released quickly and easily when it's time to move.

Safety Reverse Switch

Rabbit/Turtle High/Low Speed Switch

Speed/Directional Control

Tiller-Up Drive (Creep Speed) Switch

Lift / Lower Rocker Switches

Extra Wide Horn Button



# Specifications

## Customizations For Your Unique Applications



**Charger Unit**  
Sealed built-in battery charger option simplifies on-board battery charging.



**Drive/Tow Switch**  
Electronically releases the parking brake to allow a disabled truck to be moved to a charging station or service area.



**Fork Assembly**  
To meet the specific needs of your operation, we offer:  
Fork width options: 18", 20", 22", 25", 27"  
Fork length options: 36", 42", 48", 54" 60"



**Optional Bolt-On Load Backrest**  
Available in 48", 60", 72" sizes for increased load stability.



**Optional Casters**  
Casters provide five points of ground contact for exceptional stability over uneven floors and docks. Plus, they are easily maintained.



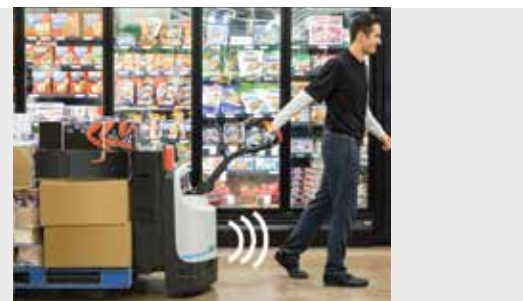
**U.L. Type EE Rating**  
Fire safety rated truck for applications requiring Type EE trucks, in accordance with NFPA 505 "Fire Safety Standards for Powered Industrial Trucks"



**Selection of Drive Tires**  
Choose from a variety of options to support your applications.



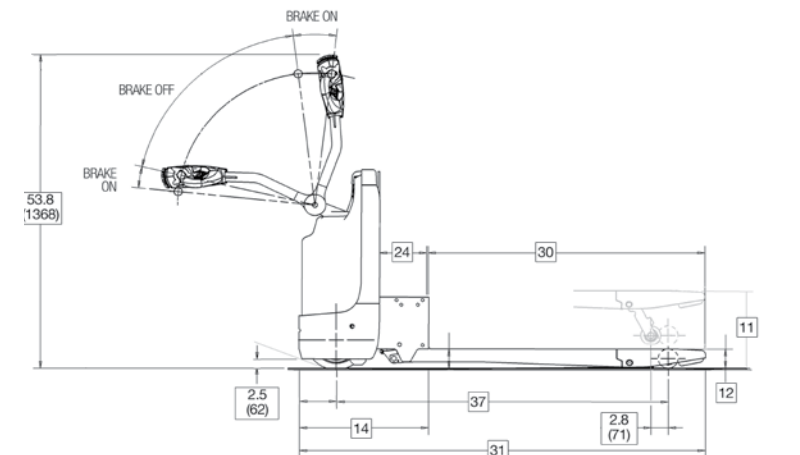
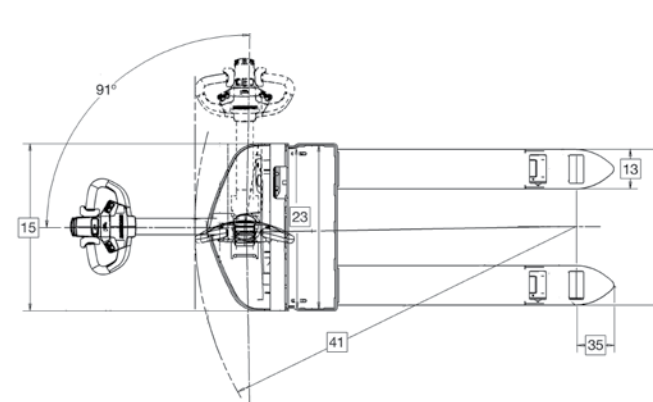
**Optional Storage Tray**  
Battery-mounted for easy access.



**Travel Alarm**  
Audible alarm may be preprogrammed for operations with: forks forward, forks trailing, or both.

## MAIN TRUCK SPECIFICATIONS

CHARACTERISTICS	1 Manufacturer's Name		UniCarriers	UniCarriers
	2 Model		WLX45S(E)	WLX45G(E)
	3 Long model code		WLXT2W7S22V(E)	WLXT2W7G22V(E)
FORKS	4 Rated Load Capacity	Equally distributed load	lb (kg)	4500 (2040)
	5 Power Type	Electric	volt	24
	6 Operator Type			Walkie
	7 Tire Type	Drive tire		Solid Rubber
	8 Load Wheels			Poly
	9 Wheels	Drive/load	(x=driven)	1x / 2
	10 Size	Outside spread (standard)	in (mm)	26.4 (670)
	11 Height	Raised position	in (mm)	9.2 (235)
	12	Lowered position	in (mm)	3.3 (83)
DIMENSIONS	13 Individual Width	Width / thickness (max.)	in (mm)	6.7 (170) / 3.1 (78)
	14 Overall Dimensions	Head length	in (mm)	21.1 (535)
	15 Width	Chassis	in (mm)	28.3 (720)
	16 Tires / Wheels	Drive tire - diameter x width	in (mm)	10 x 4 (254 x 102)
	17	Load wheels - diameter x width	in (mm)	3.25 x 4.5 (83 x 114)
PERFORMANCE	18 Speed - Travel	No load	mph (kph)	3.7 (6)
	19	Full load	mph (kph)	3.7 (6)
	20 Speed - Lift	No load	sec	2.4
	21	Full load	sec	3.5
	22 Gradeability	Maximum Full Load	%	10%
	BATTERY	23 Battery Compartment Size	Width (x) x Height (z)	in (mm)
24		Length (y)	in (mm)	7.8 (197)
25 Amp Hr Capacity		Max (6-hr)	Ah	300
26 Weight		Min / Max	lb (kg)	320 / 610 (145 / 275)
27 Lead Length		Position "B"	in (mm)	20 (508)
28 Connector			type	SB-175 Red



# Reliability.

It's the defining trait of our brand and our forklifts.



UniCarriers' roots extend back over 100 years, and over that time, strong, reliable performance has always been the hallmark of our people and our equipment.

Today, our unrivaled reliability continues to provide UniCarriers' customers with a competitive edge. And together, we move the merchandise that moves world commerce with greater efficiency, economy and reliability.

Which brand do you trust?  
The one you never have to think about.

**We Never Quit.**



[LogisnextAmericas.com/UniCarriers](https://LogisnextAmericas.com/UniCarriers)



UECN0401 04/2026

© 2026 Logisnext Americas Inc. UniCarriers® is a registered trademark of Logisnext Co., Ltd. Logisnext Americas, Inc. reserves the right to make product changes relating to colors, equipment, specifications or available options without notice. For more information, contact your UniCarriers Forklift representative.