

OLP | OLH | OEP | OEH Series



Center Control Riders

24 Volt AC-Powered
1,200 - 2,500 kg. Capacities

UNICARRIERS
[FORKLIFT]

NEVER QUIT.

YOUR JOB DOESN'T STOP, AND NEITHER SHOULD YOUR FORKLIFTS.
THAT'S WHERE WE COME IN.

Your application isn't just picking product from aisles upon aisles. There's loading docks, freezers and ramps and moving that product where it needs to go all while operators are constantly getting on and off the trucks for all the daily tasks that keeps business moving.

Flexibility is the name of the game. And that's where the RPX & WPX excels.

Power:

24 AC Electric

Maneuverability:

Engineered to excel in general warehousing

Environment:

Navigates tight aisles, uneven loads and traveling to and from the dock

Travel Distance:

Medium and long runs



OLP | OLH | OEP | OEH Series In Your Application

Performance, reliability, control, safety and comfort – the RPX & WPX incorporates them all to excel in a wide-range of fast-paced industrial applications, such as:

- Manufacturing
- Warehousing
- Multiple Operating Environments

Performance: YOUR APPLICATION DESERVES BOTH POWER AND EFFICIENCY.

The O-series for piecework

The UniCarriers center control riders are every order picker's and every company's dream. The O-series models are a sound investment for any company; they are reliable and built to minimize servicing and maintenance costs.

1. + 2. Ergonomic design

Numerous well thought-out design elements help to process orders quickly and flexibly:

- The very low step-in height of 123 mm helps the picker to stay fresh all day, contributing to more efficient picking and reduced total cost of operation.
- Getting on and off the driver's platform is easy and safe, thanks to the 3D access design.
- The platform design, with its excellent damping system and non-slip textured floor is better. The floor provides support without restricting the driver's mobility.
- The height-adjustable optional foldable seat is very simple to use and gives the legs additional support while driving.
- The XControl steering wheel offers multiple grip options, which reduces strain and uncomfortable neck positions, especially when the driver is standing sideways while reversing.

3. Quick & safe

One of the key features of the O-series center control riders is their Instant Launch technology that allows the driver to accelerate immediately when boarding without having to activate the operator presence switch.

Top speed can be reached quickly due to the Boost Effect technology. Both acceleration keys can be pressed simultaneously so that the order picker reaches maximum speed within seconds.

The truck also benefits from a rugged chassis, UniCarriers' unique S3 safety system and many other smart safety features.

For example:

- The advanced control system continuously adapts the truck's behavior and characteristics to the needs of the driver and the application. This makes operation easier and more productive.
- Thanks to the Active Spin Reduction (ASR), slippery floors aren't an issue. The ASR system will cope with these situations and prevent unnecessary drive wheel spinning, which can cause premature wear to the wheel.
- A PIN-code prevents unauthorised use of the truck (optional).

4. Powerful

The O-series models are designed for multi-shift operations. The powerful 2.2 kW AC motor delivers unparalleled performance. Naturally, battery change is easy thanks to the steel rollers in the battery bed. Two chassis sizes are available: Junior chassis with up to 465 Ah Senior chassis with up to 620 Ah

5. Driver-friendly

The driver is the most important part of the truck. The O-series offers extra space and practical features:

- The wide platform is comfortable. A low and narrow backrest makes it easier for drivers to walk quickly through the truck without hitting their elbows.
- The short chassis design makes the truck highly manoeuvrable.
- The fork tips are designed for easy entry, and longer forks are reinforced.

6. Efficient

Performance and ergonomics combined result in an efficient truck. Order pickers can work faster with the O-series models. This means more picking per hour and higher productivity. The OEP and OEH offer fork lifting capability, keeping the pallet at the right height for ergonomic picking. The OLH and OEH with a high-lift platform are recommended for second-level picking, which also adds to safety.

7. + 8. Practical

Ergolift, platform lift and "walk beside" buttons are easily reached. Two emergency switches are also located here for extra safety. Serviceability is guaranteed with easy access to the truck's internals. Inspection and maintenance of the drive unit as well as changing the drive wheel are possible without any difficulties.

9. Tough

To ensure it can keep up during a long day of starts, stops and rapid acceleration, the O-series models operate at full capacity consistently. The center control riders will work effortlessly – even in some of the toughest environments. The optional cold store-specified riders are designed to work down to -35°C.

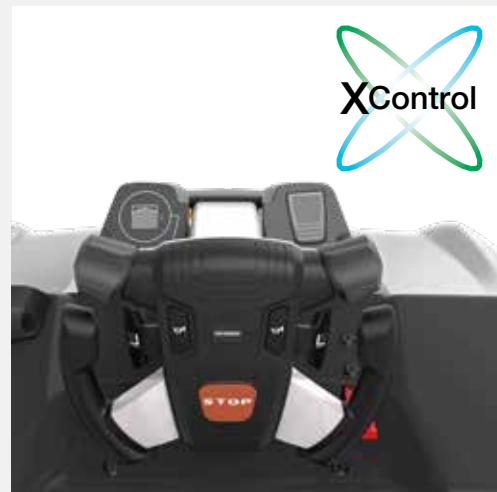


Control: YOUR PRODUCTS DESERVE PURE PRECISION. WE PUT IT AT YOUR FINGERTIPS.

The difference is in the details

- Angled, very wide 3D step-in with low step height (from 123mm)
- Extra spacious driving platform
- Dampened low backrest with walk-through design
- Floating, dampened floor with rubber mat and footrest area in front
- Instant Launch technology – simultaneous step-in and acceleration
- Boost Effect – less time between picking locations
- Quick and simple adjustment of fork and platform height for comfortable working position
- Steel cover for easy access to battery
- Robust chassis with reinforced bumper
- Fork lifting height is 220 mm, which is especially important in ramps and loading docks.

XControl steering



The XControl steering wheel has been developed to meet the particular needs of the order picker. It is ergonomically designed to keep movements to a minimum. The driver can control all the truck's functions easily with the height-adjustable wheel and without any fatigue in the wrist and fingers. It also allows you to reverse long distances because your hand is on top of the control when steering, letting you to stand sideways without straining your neck. The shock- and vibration-absorbing XControl wheel enables a comfortable drive even during long shifts. It's also possible to operate the truck while the order picker is walking next to it, with a reduced steering angle of 10° to help minimize unintended collisions.

UniCarriers XControl steering wheel allows control of all functions from a single location. It's designed to reduce movement, providing the driver with maximum recuperation between picking locations.

QControl (Queue Control):

The steering is 100° each direction, which is a great help in tight spaces. If you make a full turn on the spot, the truck will reverse away from obstacles or other trucks queuing in front.



PRO/ECO mode

The two different settings offer a great way to select between the quickest-possible order picking in PRO mode, or ECO mode for a truck that is energy-optimized to save power and extend the operating time on a single battery charge.

Stability Support System (S3)

The Stability Support System (S3) helps the driver avoid hazardous situations by automatically reducing speed when turning. S3 delivers a high level of safety with a smoother and more energy-saving drive.

Model range

UniCarriers center control riders are modular. This makes it possible to tailor every truck to your particular wishes and keep down service costs and TCO thanks to a shared component strategy that ensures maximum uptime. Design your center control rider for floor and first-level picking to meet your particular picking needs.

**OLP
200-250**

Low-lift forks
Low platform
2.0 or 2.5 tons



**OLH
200-250**

Low-lift forks
High-lift platform
2.0 or 2.5 tons



OEP 120

Ergolift forks
Low platform
1.2 tons



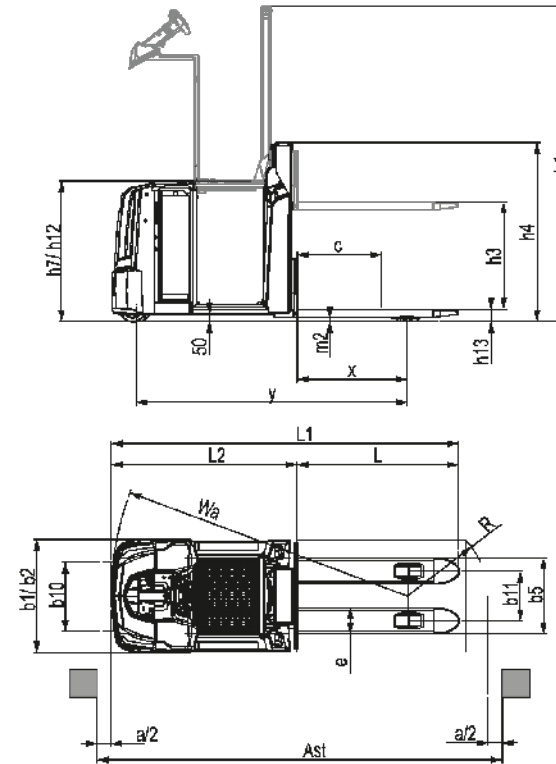
OEH 120

Ergolift forks
High-lift platform
1.2 tons



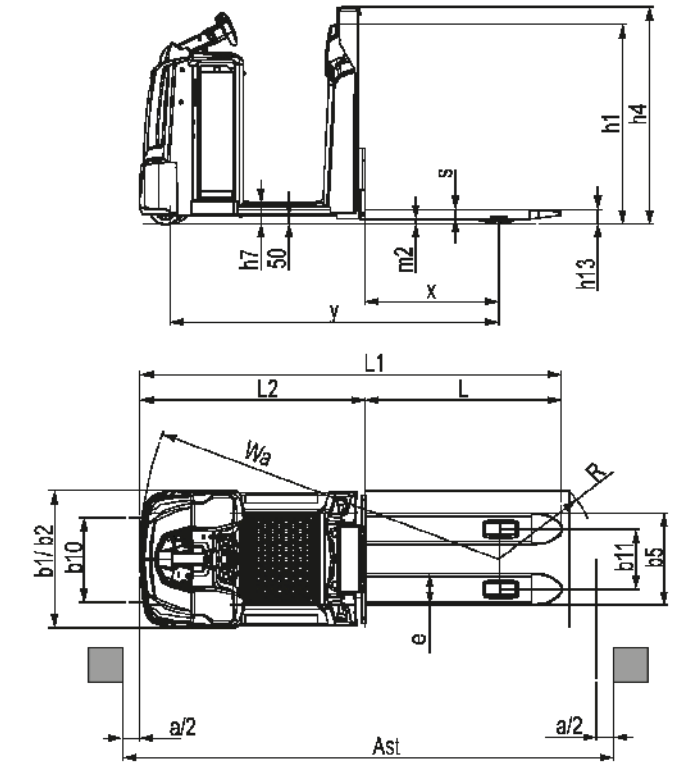
Low Level Order Picker with Minimast & Raising platform

OEH 120



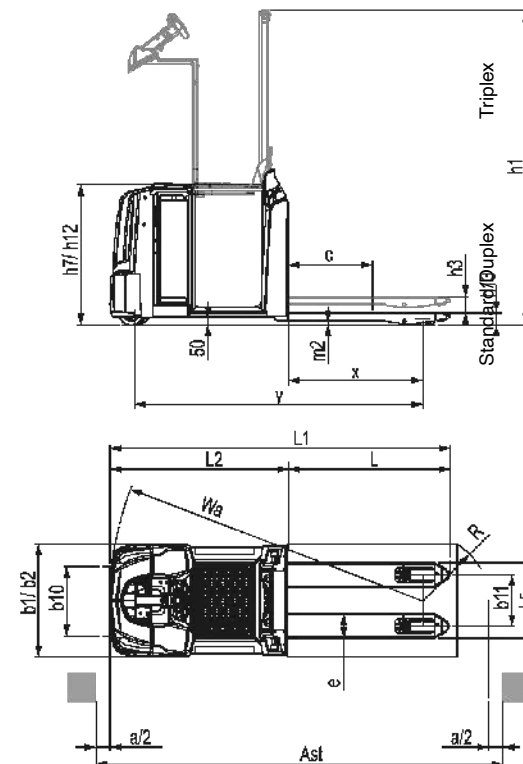
Low Level Order Picker with Minimast

OEP120



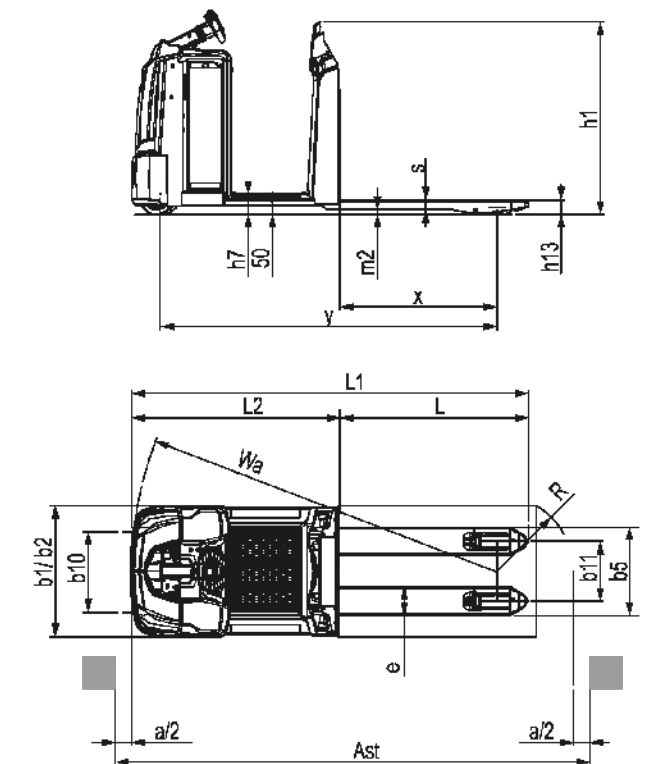
Low Level Order Picker with High lift platform

OLH 200 / 250



Low Level Order Picker

OLP 120 / 250



	0	Specifications	OEH 120	OEP 120	
Distinguishing mark	12	Manufacturer's type designation			
	13	Drive: electric (battery or mains), diesel, petrol, fuel gas	Electric	Electric	
	14	Operator type: hand, pedestrian, standing, seated, order-picker, tow tractor	Order picker	Order picker	
	15	Load capacity/rated load Q t	1200	1200	
	16	Load center distance c mm	600	600	
	17	Rated drawbar pull F N			
Weight	18	Load distance, center of load axle to fork X	785	785	
	19	Wheelbase y mm	1929	1929	
Tires, Chassis	2.1	Service weight incl battery kg	2556	2420	
	2.2	Axle load, with load, front/re kg	1059 / 1497	972 / 1448	
	2.3	Axle load, without load, front / rear kg	940 / 416	853 / 367	
	2.4	Axle load, fork outreached with load, front / rear kg			
	2.5	Axle load, fork retracted with load, front / rear kg			
Dimensions	3.1	Tires	Vulkollan	Vulkollan	
	3.2	Tyre size, drive side mm	250	250	
	3.3	Tyre size, load side mm	85	85	
	3.4	Dimensions additional wheels (castor wheels) mm	180 x 65	180x65	
	3.5	Wheels, number front/rear (drive side/load side, x = driven wheels)	4 / 1x1	4 / 1 x 1	
	3.6	Track, drive side b10 mm	494	494	
	3.7	Track, load side b11 mm	355	355	
Performance data	4.1	Tilt of mast/fork carriage, forward/backward Grad		80	
	4.2	Height, mast lowered h1 mm	1394 / 2244	1173	
	4.3	Free lift h2 mm			
	4.4	Lift height H = h13+h3 H mm	765 / 1115	765 / 1115	
	4.5	Height, mast extended h4 mm	1275 / 1625	1275 / 1625	
	4.6	Straddle lift h5 mm			
	4.7	Height of overhead guard (cabin) h6 mm			
	4.8	Seat height/stand height h7 mm	150	123	
	4.10	Height of wheel arms h8 mm	80		
	4.11	Additional lift h9 mm			
	4.12	Coupling height mm			
	4.14	Stand height, elevated h12 mm	1000		
	4.15	Height lowered h13 mm	85	85	
	4.19	Overall length l1 mm	2471	2471	
	4.20	Length to face of forks l2 mm	1321	1321	
	4.21	Overall width b1 mm	800	800	
	421.1	Width over stabilizers mm	56 / 186 / 950-1450	561 / 185 / 950-1450	
	4.22	Fork dimensions s/e/l mm			
	4.23	Fork carriage to ISO 2328, class / form A, B mm			
	4.24	Width of fork carriage b3 mm	540 / 570	540 / 570	
	4.25	Width over forks, min/max b5 mm			
	4.26	Distance between wheel arms b4 mm			
	4.27	Width across guide rolls b6 mm			
	4.28	Reach distance l4 mm			
	4.29	Reach lateral b7 mm			
	4.30	Reach lateral from vehicle centerline b8 mm			
	4.31	Ground clearance, mast m1 mm			
	4.32	Ground clearance, center of wheelbase m2 mm	25	25	
	4.33	Aisle width with pallet 1000 x 1200, crosswise Ast mm			
	4.34	Aisle width for pallet 800 x 1200, lengthwise Ast mm	2881	2881	
	4.35	Turning radius Wa mm	2106	2106	
	4.37	Length incl reach legs l7 mm			
	4.38	Distance to swivelling-fork pivot 0 mm			
	Electric engine	5.1	Travel speed, with/without load km/h	9.0 / 9.0 (opt 9 / 13)	9.0 / 9.0 (opt 9 / 13)
		5.1.1	Travel speed with/without load, backwards km/h		
		5.2	Lift speed, with/without load m/s	0.20 / 0.41	0.20 / 0.41
		5.3	Lowering speed, with/without load m/s	0.30 / 0.36	
		5.4	Reach speed, with / without load m/s		
5.7		Gradient, with/without load %	7 / 15	7 / 15	
5.8		Max gradeability, with / without load, 5 min rating %			
5.9		Acceleration time 0-10 m, with/without l s			
5.10		Service brake: electric, h	Electric	Electric	
5.10.1		Parking brake: electric, hydraulic	Electric	Electric	
Additional data	6.1	Drive motor, rating S2 60 min kW	2.6	2.6	
	6.2	Lift motor kW	2.2	2.2	
	6.3	Battery according to DIN 43531/35/36 A,B,C			
	6.4	Battery voltage / Battery capacity V/Ah	24 / 465-620	24 / 465-620	
	6.5	Battery weight kg	366-493	366-493	
	6.6	Power consumption according to VDI cycle kWh/h			
Additional data	8.1	Speed regulation	Stepless	Stepless	
	10.1	Operating pressure attachments bar			
	10.2	Oil flow for attachments l/min			
	10.7	Noise level at operator's ear, according to EN 12 0 db(A)	62	62	
111	Notes				

* varies according to battery size

All rights reserved to change above specifications

	0	OLH 200	OLH 250	OLP 200	OLP 250	
Distinguishing mark	12					
	13	Electric	Electric	Electric	Electric	
	14	Order picker	Order picker	Order picker	Hand	
	15	2000	2500	2000	2500	
	16	600	600	600	600	
	17					
Weight	18	960	960	960	960	
	19	2054	2054	2054	2054	
	2.1	1215	1215	1079	1079	
	2.2	1130 / 2085	1223 / 2492	1082 / 1997	1178 / 2401	
	2.3	913 / 302	913 / 302	829 / 250	829 / 250	
Tires, Chassis	2.4					
	2.5					
	3.1	Vulkollan	Vulkollan	Vulkollan	Vulkollan	
	3.2	250	250	250	250	
	3.3	85	85	85	85	
	3.4	180x65	180x65	180x65	180x65	
	3.5	4 / 1 x 1	4 / 1 x 1	4 / 1 x 1	4 / 1 x 1	
Dimensions	3.6	494	494	494	494	
	3.7	365	365	365	365	
	4.1					
	4.2	1394 / 2244	1394 / 2244	1173	1173	
	4.3					
	4.4	220	220	220	220	
	4.5					
	4.6					
	4.7	150	150	123	123	
	4.8					
	4.10					
	4.11					
	4.12					
	4.14	1000	1000			
	4.15	85	85	85	85	
	4.19	2421	2421	2421	2421	
	4.20	1271	1271	1271	1271	
	4.21	800	800	800	800	
	421.1	60 / 175 / 900-3600	60 / 175 / 900-3600	60 / 75 / 900-3600	60 / 175 / 900-3600	
	4.22					
	4.23					
	4.24	480 / 660	480 / 660	480 / 660	480 / 660	
	4.25					
	4.26					
	4.27					
	4.28					
	4.29					
	4.30					
	4.31					
	4.32	25	25	25	25	
	4.33	3033	3033	3033	3033	
	4.34	2898	2898	2898	2898	
	4.35	2231	2231	231	2231	
	4.37					
	4.38					
	Performance data	5.1	9.0 / 9.0 (opt 9 / 13)	9.0 / 13.0	9.0 / 9.0 (opt9.0 / 13.0)	9.0 / 13.0
		5.1.1				
		5.2	0.04 / 0.05	0.03 / 0.05	0.04 / 0.05	0.03 / 0.05
5.3		0.05 / 0.03	0.05 / 0.03	0.05 / 0.03	0.05 / 0.03	
5.4						
5.7		7 / 15	7 / 15	7 / 15	7 / 15	
5.8						
5.9						
5.10		Electric	Electric	Electric	Electric	
5.10.1		Electric	Electric	Electric	Electric	
Electric engine	6.1	2.6	2.6	2.6	2.6	
	6.2	2.2	2.2	1.2	1.2	
	6.3					
	6.4	24 / 65-620	24 / 465-620	24 / 465-620	24 / 465-620	
	6.5	366-493	366-493	366-493	366-493	
	6.6	0.37	0.4	0.37	0.4	
Additional data	8.1	Stepless	Stepless	Stepless	Stepless	
	10.1					
	10.2					
	10.7	62	62	62	62	
111						

* varies according to battery size

All rights reserved to change above specifications

Reliability.

It's the defining trait of our brand and our forklifts.



UniCarriers' roots extend back over 100 years, and over that time, strong, reliable performance has always been the hallmark of our people and our equipment.

Today, our unrivaled reliability continues to provide UniCarriers' customers with a competitive edge. And together, we move the merchandise that moves world commerce with greater efficiency, economy and reliability.

Which brand do you trust?
The one you never have to think about.

We Never Quit.



LogisnextAmericas.com/UniCarriers



UECN0405LA 04/2026

© 2026 Logisnext Americas Inc. UniCarriers® is a registered trademark of Logisnext Co., Ltd. Logisnext Americas, Inc. reserves the right to make product changes relating to colors, equipment, specifications or available options without notice. For more information, contact your UniCarriers Forklift representative.