



DEPENDABLE STRENGTH

**3,000 – 8,000 LB. CAPACITY
INTERNAL COMBUSTION
CUSHION TIRE LIFT TRUCK**



2 TRIED-AND-TRUE

PERFORMANCE

A Truck You Can Depend On

The Cat® LiftTrucks 3,000 lb. – 8,000 lb. capacity IC cushion tire model family is designed to give customers what they need: increased uptime, maneuverability and the return on the investment that they expect. Built on a heritage of durability and reliability, these forklifts can perform in a wide range of indoor applications, from moving pallets from dock to stock to transferring loads across a wide variety of run distances, short or long:

KEY INDUSTRIES:

- General Warehousing
- Food and Kindred Products
- Fabricated and Primary Metal
- Industrial Machinery and Equipment
- Wholesale Trade (Durable and Non-durable Goods)
- Building Materials and Garden Supplies
- General Merchandising
- Miscellaneous Retail



BALANCING POWER AND EFFICIENCY: THE WINNING COMBINATION

Cat Lift Trucks GC15N-GC40CN models are equipped with an electronic fuel injection system, consisting of three control modules, constantly communicating with each other through its CAN (Controlled Area Network) system, the combustion process provides high levels of torque at lower RPM levels, which means savings in fuel consumption. Additionally, the truck is equipped with standard Fuel Saver Mode, which is easily activated by a toggle switch on the dashboard in order to save on fuel costs, without sacrificing the top travel speeds of the truck.



4 KEEPING YOUR OPERATION HUMMING

A Truck Designed For Uptime

Knowing that a forklift can only provide return on investment if it is running, the GC15N-GC40CN have a number of ways to help make sure you are getting the most out of your fleet.





Essential Diagnostics on Display

The display includes standard warnings and icons to keep the operator informed.

Extended Preventative Maintenance Schedule

800-hour service intervals mean that labor, parts and downtime required for preventative maintenance are kept to minimal levels.

Trained service technicians can also program service interval alerts through the meter panel which can keep operators, users and owners informed when scheduled maintenance is required.

Effective Cooling System

The cooling system includes an electronic engine protection and warning system that monitors radiator fluid and transmission oil temperatures, a 10-blade fan and an aluminum radiator for cross-flow cooling.

The chassis design also incorporates a bottom bypass air flow design that allows for constant air flow during travel to help prolong engine life.

10-blade fan and aluminum radiator for cross-flow cooling

Parking Brake Transmission Interlock

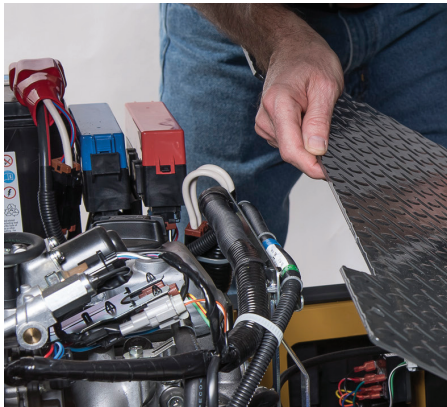
While the parking brake is engaged, the forklift is held in neutral to protect the brakes and transmission, reducing the chance for premature brake wear.

LP Max High Accuracy Fuel Level Sensor

Providing a low LP fuel level warning to the operator an average of 8 minutes before the LP tank is empty, this system can improve plant productivity and reduce downtime. It can help save money on fuel by minimizing early tank replacement, while also reducing operation and labor costs associated with trucks running out of fuel.

Service Access Made Easy

The three-piece top panel and the one-piece floorboard are easily removed to provide broad access to major components without requiring tools. This can reduce the downtime and technician time, increasing the productivity in your operation.



6 GIVING YOU TOTAL CONTROL

The Whole Package

Enhancing the complete operator experience through comfort and confidence.

MANEUVERABILITY

Compact Chassis

The compact chassis allows the operator to maneuver in, out and around tight spaces where larger trucks just can't get to efficiently.

Fully Hydrostatic Power Steering

The steering system allows for maneuverability with little effort, with less components, helping to provide more return on your investment through added productivity.

ERGONOMICS

Ergonomic Operator Compartment

The spacious cabin design with three-point access provides comfortable space for almost all operator sizes with great ergonomic leg room and ergonomic pedal position to rest the feet in a comfortable position to avoid unnecessary stress in the ankles.

Reduced Vibration

The floating powertrain of the truck rests on four rubber cushion dampeners designed to absorb vibration during operation that could lead to unnecessary operator fatigue on the job.

Full Suspension Vinyl Seat

Designed to keep a wide range of operator sizes comfortable throughout the shift, the seat can be adjusted forward and backwards for different heights, suspension can be adjusted for different weights and lumbar support can be adjusted to make sure that productivity is never overshadowed by discomfort. Orange seatbelt and Presence Detection System (PDS) come standard.



OPERATOR CONFIDENCE AND AWARENESS

Cushioned Stability Control

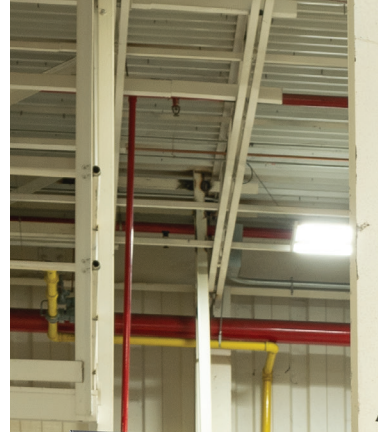
There is a rubber damper mounted between the steer axle and frame, that can improve increased lateral stability, enhancing operator confidence and overall driving experience in a maintenance-free system.

Standard Lights Package

With LED standard work lights mounted on the front of the overhead guard, operators have increased visibility to the area in front of the truck and through the mast to the fork tips, to operate with precision and efficiency with different levels of surrounding lighting. There are also standard rear combination lights to let pedestrians and other lift trucks know the intended and current movements of the truck.

Functional Steering Column

The steering column is combined with the meter panel, creating an open steering wheel design concept and providing full visibility to the display. The operator can adjust the tilt column and use the memory feature to reposition the column in the prior tilt position in case the operator leaves the compartment. The directional control lever (F-N-R), headlights and the optional turn signals are attached in the column to reach them easily.





P
10

CAT

WARNING
No one should be on the forklift when the mast is raised.
No one should be in the load path.
No one should be in the area of the load.

UNICARRIER

KEEP



Local service and support



Genuine OEM parts



Custom financing packages

MORE CONFIDENCE





Factory warranty for added protection

Local Support You Can Count On

A Cat lift truck purchase connects you to a variety of material handling solutions, including world-class service and support from your local, trusted dealer. With trained service technicians, a diverse parts inventory and a broad selection of service options, your local dealer can help you lower costs, enhance productivity and more efficiently manage your business.

FINANCING MADE SIMPLE

Financing your next Cat lift truck is easy with our wide range of flexible leasing and purchasing options. Whether you want to finance or lease, your local Cat lift truck dealer can help customize a package for your business.

WHEN EVERY PART COUNTS

When buying from your local Cat lift truck dealer, you can rest assured that your genuine OEM parts are manufactured to meet original equipment criteria. Additionally, all Cat lift trucks OEM parts come with a six-month, unlimited-hours warranty.

When speed is critical, our Parts Fast Or Parts Free Guarantee* ensures next-business-day delivery of all Cat lift trucks parts, or they're free, including freight. If your part doesn't come in by the next business day, we pay for it.

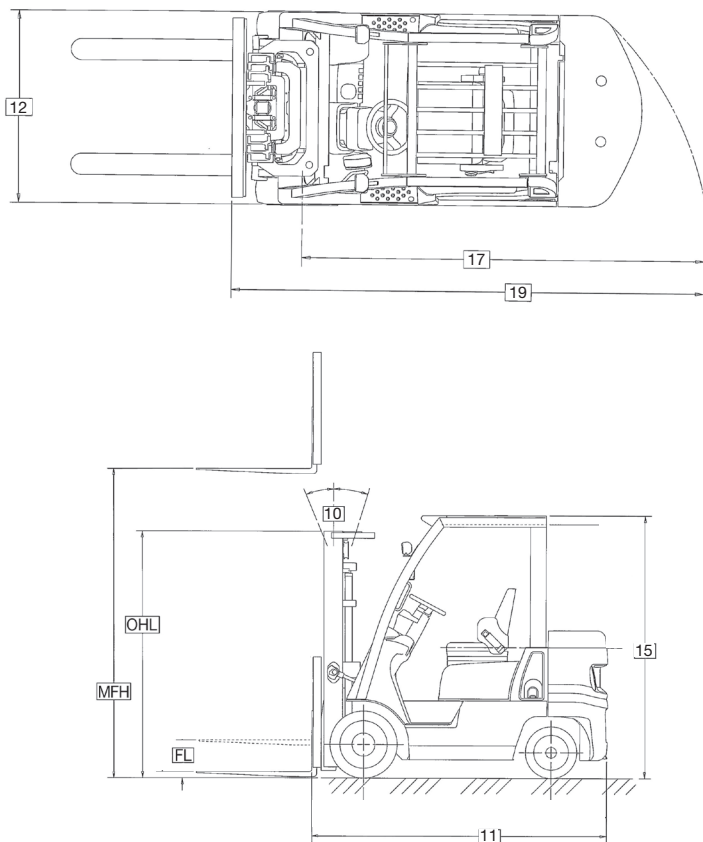
STANDING BEHIND OUR PRODUCTS

We deliver peace of mind by helping your lift trucks stay on the job. Every new Cat lift truck is covered by a 1-year / 2,000-hours warranty that includes parts and labor, as well as components and systems. With our standard 2-year / 4,000-hours extended powertrain warranty, you'll have the confidence that only comes from owning a Cat lift truck.

* At dealer's location.

† Programs may be subject to change without notice and may vary by region. Please ask your local Cat lift truck dealer for complete terms and conditions.

Call-out numbers shown in the diagram correspond to the first column of the specifications chart.



Safety Standards

These trucks meet American National Standards Institute/ Industrial Truck Standards Development Foundation, ANSI/ITSDF B56.1.

UL-Classified by Underwriters Laboratories, Inc., as to fire and electric shock hazard only. Availability: Types G, LP and D standard. Types GS, LPS and DS optional. Users should be aware of, and adhere to, applicable codes and regulations regarding operator training, use, operation, and maintenance of powered industrial trucks, including:

- ANSI/ITSDF B56.1.
- NFPA 505, fire safety standard for powered industrial trucks — type designations, areas of use, maintenance and operation.
- Occupational Safety and Health Administration (OSHA) regulations that may apply.

Contact your Cat lift truck dealer for further information, including operator training programs and auxiliary visual and audible warning systems, fire extinguishers, etc., as available for specific user applications and requirements. Specifications, equipment, technical data, photos and illustrations based on information at time of printing and subject to change without notice. Some products may be shown with optional equipment.

Characteristics				GC15N		GC18N		GC20CN		GC20N	
1	Capacity – at rated load center	lb	kg	3,000	1,350	3,500	1,600	4,000	1,800	4,000	1,800
2	Capacity – at load center-distance	in	mm	24	600	24	600	24	600	24	600
3	Power – diesel, gasoline, LP gas, electric			LP - G/LP		LP - G/LP		LP - G/LP		LP - G/LP	
4	Tire type – cushion or pneumatic			Cushion		Cushion		Cushion		Cushion	
5	Wheels (x = driven) – number front / rear			2x / 2		2x / 2		2x / 2		2x / 2	
Dimensions				GC15N		GC18N		GC20CN		GC20N	
7	Lift with standard two-stage mast – maximum fork height	in	mm	130	3,300	130	3,300	130	3,300	130	3,300
8	Lift with standard two-stage mast – free fork height	in	mm	4	100	4	100	4	100	4.2	105
9	Forks – thickness x width x length	in	mm	1.5x4x42	40x100x1,070	1.5x4x42	40x100x1,070	1.5x4x42	40x100x1,070	1.5x4x42	40x100x1,070
	Fork spacing – out-to-out minimum / maximum	in	mm	7.8 / 32.4	200 / 823	7.8 / 32.4	200 / 823	7.8 / 32.4	200 / 823	7.8 / 36.0	200 / 920
10	Tilt – forward / backward	deg		5° / 10°		5° / 10°		5° / 10°		5° / 10°	
11	Length to fork face	in	mm	81.9	2,080	81.9	2,080	84.4	2,145	89	2,260
12	Width – with standard tires	in	mm	38.2	970	38.2	970	38.2	970	36.2	920
13	Height – mast lowered	in	mm	82.9	2,105	82.9	2,105	82.9	2,105	83.1	2,110
14	Height – seat height	in	mm	43.3	1,100	43.3	1,100	43.3	1,100	44.3	1,125
15	Height – top of overhead guard	in	mm	81.1	2,060	81.1	2,060	81.1	2,060	82.1	2,085
16	Height – mast extended	in	mm	179.3	4,555	179.3	4,555	179.3	4,555	179.3	4,555
17	Minimum outside turning radius	in	mm	68.3	1,735	68.3	1,735	70.9	1,800	76	1,930
18	Load moment constant	in	mm	15.4	390	15.4	390	15.4	390	16.1	410
19	Minimum aisle - 90° stack - zero clearance w/out load ¹	in	mm	83.7	2,125	84.9	2,155	84.9	2,155	92.1	2,340
Performance				GC15N		GC18N		GC20CN		GC20N	
20	Travel speed loaded / empty	mph	km/h	10.9	175	10.9	175	10.9	175	10.6	17
21	Lift speed loaded / empty	fpm	mm/s	122/127.9	620/650	122/127.9	620/650	122/127.9	620/650	122/127.9	620/650
22	Lowering speed loaded / empty	fpm	mm/s	98.4	500	98.4	500	98.4	500	98.4	500
23	Drawbar pull – loaded maximum	lb	N	3,417	1,550	3,417	1,550	3,417	1,550	3,638	1,650
24	Gradeability – maximum (1.2 mph) loaded / empty	%		38 / 20		38 / 18		38 / 16		33 / 21	
Weight				GC15N		GC18N		GC20CN		GC20N	
25	Empty – standard tires	lb	kg	5,980	2,710	6,420	2,910	6,830	3,100	7,130	3,235
26	Axle load – with load front / rear	lb	kg	7,720/1,260	3,620/590	8,485/1,435	3,985/675	9,240/1,590	4,350/750	9,730/1,400	4,575/660
	Axle load – without load front / rear	lb	kg	2,200/3,780	995/1,715	2,045/4,375	925/1,985	1,880/4,950	855/2,245	2,815/4,315	1,275/1,960
Chassis				GC15N		GC18N		GC20CN		GC20N	
27	Tire size – front, standard	in		18x6x12.13		18x6x12.13		18x6x12.13		21x7x15	
28	Tire size – rear	in		14x5x10		14x5x10		14x5x10		16.25x6x11.25	
29	Wheelbase	in	mm	46.9	1,190	46.9	1,190	46.9	1,190	55.1	1,400
30	Tread width – front, standard tires	in	mm	32.3	820	32.3	820	32.3	820	35	890
31	Tread width – rear, standard tires	in	mm	32.3	820	32.3	820	32.3	820	35	890
32	Ground clearance – at lowest point of mast	in	mm	3.0	75	3.0	75	3.0	75	3.1	80
33	Ground clearance – at center of wheelbase	in	mm	4.3	110	4.3	110	4.3	110	4.1	105
34	Service brakes	type		drum / foot		drum / foot		drum / foot		drum / foot	
35	Parking brakes	type		hand / mechanical		hand / mechanical		hand / mechanical		hand / mechanical	
Powertrain				GC15N		GC18N		GC20CN		GC20N	
36	Engine model			EK21		EK21		EK21		EK25	
37	Continuous output (S.A.E. gross)	HP	kW	55	41	55	41	55	41	62.9	46.9
		at rpm		2,700		2,700		2,700		2,700	
38	Maximum torque (S.A.E. gross)	lb-ft	Nm	111.4	151	111.4	151	111.4	151	138.7	188
		at rpm		2,000		2,000		2,000		1,600	
39	Cylinder / displacement	cu in	L	126	2,065	125	2,065	125	2,065	151.8	2,488
40	Transmission type			automatic		automatic		automatic		automatic	
41	Number of speeds forward / reverse			1 / 1		1 / 1		1 / 1		2 / 1	
42	Battery	volts		12		12		12		12	
Hydraulics				GC15N		GC18N		GC20CN		GC20N	
43	Relief pressure – For attachments at auxiliary valve	psi	bar	1,840	127	1,840	127	1,840	127	1,840	127

DISCLAIMER: The information in these materials is being provided for marketing and informational purposes only. Actual specifications, functions, and performance may vary from those set forth in these materials and are available upon request. Operators should always consult the applicable Logisnext Operator’s Manual and/or Service Manuals prior to use. Nothing in these materials is intended to constitute a representation, warranty or guarantee for any equipment sold and Logisnext hereby disclaims the same.



Your Cat lift truck dealer can provide additional options and features to specialize your lift truck for your unique application. Operator training and custom financing programs are also available to help find the right fit for your business.

Helping move businesses forward – that’s how we’re built.

1-800-CAT-LIFT | www.logisnextamericas.com/cat

© 2026 Logisnext Americas Inc. CAT, CATERPILLAR, LET'S DOTHE WORK, and their respective logo "Caterpillar Corporate Yellow", the "Power Edge" and "Cat Modern Hex" trade dress as well as corporate and product identity used herein are trademarks of Caterpillar used under license and may not be used without permission from Caterpillar.

Some products may be shown with optional equipment.

CECT0401

03/26

