



# OUTSTANDING PERFORMANCE

**1400 – 2000 KG CAPACITY  
PANTOGRAPH REACH TRUCKS**



# REACH HIGHER, MOVE MORE WITH MORE COMFORT

## Rediscovering Productivity

The Cat® NR15-ND18 pantograph reach truck series features excellent lift speeds with high capacity retention and the NR23LN-ND18LN wide chassis model offers an optional multifunction control handle for operator preference and the capability of sit-down operation.

### **The Result?**

The ability to significantly increase your throughput with a reach truck designed for comfort, longevity, efficient maneuverability and confident control.



### ADVANTAGES TO YOU:

- 1400 – 2000 kg lift capacities
- Some of the fastest lift speeds in the industry - up to 0.84 meters/second
- Tough mast design with lift heights above 11 meters
- Sit-down operation capability for sustained comfort all shift long on wide chassis models
- Advanced AC motor technology for lower energy consumption
- Longer run times
- Intuitive controls for efficient handling
- Excellent stability for confident control

### LITHIUM-ION AVAILABILITY:

- Greater power efficiency
- Run for 24 hours a day, 7 days a week with opportunity charging
- Zero battery maintenance
- No watering
- No more battery exchanges
- No gas emissions, odor or acidification
- No special charging areas or equipment needed
- Longer lasting life cycles (up to 3,000)
- 5-year warranty on batteries
- 2-year warranty on chargers

# OPTIMIZED PRECISION SUPERIOR COMFORT



SION,



## Rewriting The Standards

Cat lift trucks are designed with advanced AC technology to provide unique efficiencies and maximum uptime. The NR15-ND18 and NR23LN-ND18LN line of reach trucks help you move more product with more run time and greater comfort.

### POWERFUL AND DEPENDABLE DESIGN

- Advanced AC motors deliver higher performance levels, while consuming less energy.
- Sealed components offer greater reliability and help keep maintenance costs under control.
- Advanced regenerative braking returns kinetic energy to the battery when the truck slows down or reverses, leading to longer run times and greater throughput.

### CONFIDENT HANDLING OF LOADS

These pantograph reach trucks provide superior load handling at high lift heights above 11 meters.

- With our exclusive ProTrac® suspended articulating axle, load weight is evenly balanced, leading to greater load stability on turns and when working in high lift heights.
- The sturdy mast is designed with cushioning at all mast stage transitions for smooth operation.
- Dual-articulating load wheels provide greater contact with the floor for more load force distribution.
- Industry-leading lift speeds, up to 0.84 meters/second, result in faster pickup and placement of loads.
- Automatic speed reduction and automatic parking brake provide additional control during operation.

### CUSTOMIZE YOUR PERFORMANCE:

#### Three programmable performance levels

These pre-set performance levels provide greater flexibility and control, allowing you to adapt your settings for your specific application.

- **Program 1** - Ideal for transporting fragile goods or traveling in congested environments.
- **Program 2** - Presets average speeds to maximize uptime.
- **Program 3** - For use in applications that require maximum acceleration, throughput and travel/lift speeds.

\*Customized performance settings may be available.  
Please contact your local dealer for full details.



Compact motor compartment for easy service

# MADE FOR COMFORT FOCUSSED ON EASE OF OP

## Get More From Your Work Day

Designed with ergonomic features to maximize operator comfort and control, the NR15-ND18 and NR23LN-ND18LN series makes it easier for operators working long shifts – while increasing productivity.



### MORE CONTROL WITH SMOOTH AND QUIET OPERATION

Designed for a smooth, quiet ride, this reach truck series provides key features for greater comfort and less fatigue:

- Multifunction control handle options provide flexibility for drivers to operate the truck with the control handle they are most familiar with
- Pantograph system features extensive cushioning for smooth lowering and better protection of valuable loads



### ENHANCED AWARENESS

The premium operator LCD display panel features key information in one easy-to-access location:

- Battery discharge and drive wheel direction indicators keep operators aware of their lift truck's performance at all times
- The optional tilt position assist and lift height indicator help operators remain informed and in control



### CONFIDENT OPERATION

Smart designs that help improve productivity and comfort:

- Excellent maneuverability, outstanding visibility through the mast, to lifted loads through overhead guard, and all around
- Sit-down operation on the wide chassis models helps to provide even more comfort for operators, especially on long shifts



# ORT, OPERATION

**Small, ergonomically-positioned steering wheel** for precise and relaxed handling

**Multifunction control handle** allows for regulation of multiple truck functions in the palm of your hand

**Soft rubber back, arm and knee cushions** encircle operators in comfort

**Ergo-cushioned floor mat** reduces operator fatigue

**Low-entry step height** for easy entry and exit

## **Ergonomically-Designed For Maximum Comfort**

The reach truck's spacious operator cabin is loaded with features to increase comfort and convenience, including sit-down operation capability on wide chassis models. Less fatigue and easy handling make for a more productive work day.



Local service and support



Genuine OEM parts



Custom financing packages

# MORE CONFIDENCE





Factory warranty for added protection



## Local Support You Can Count On

A Cat lift truck purchase connects you to a variety of material handling solutions, including world-class service and support from your local, trusted dealer. With trained service technicians, a diverse parts inventory and a broad selection of service options, your local dealer can help you lower costs, enhance productivity and more efficiently manage your business.

### FINANCING MADE SIMPLE

Financing your next Cat lift truck is easy with our wide range of flexible leasing and purchasing options. Whether you want to finance or lease, your local Cat lift truck dealer can help customize a package for your business.

### WHEN EVERY PART COUNTS

When buying from your local Cat lift truck dealer, you can rest assured that your genuine OEM parts are manufactured to meet original equipment criteria. Additionally, all Cat lift truck OEM parts come with a six-month, unlimited-hours warranty.

### STANDING BEHIND OUR PRODUCTS

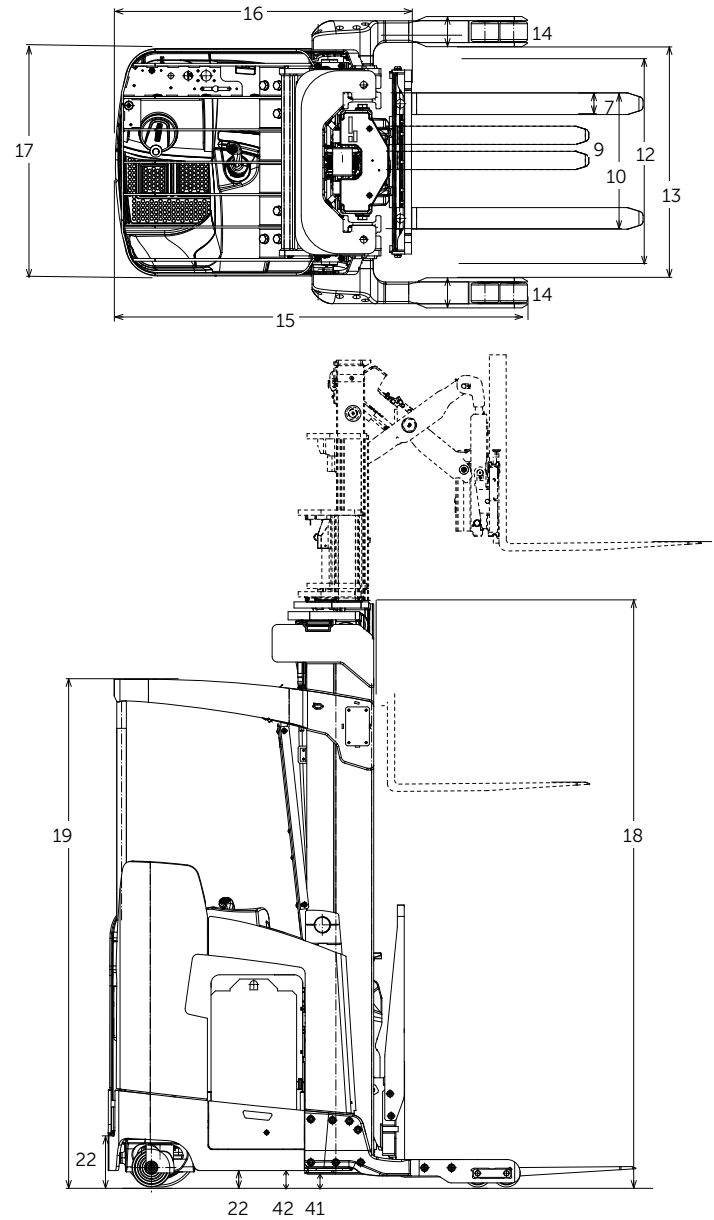
We deliver peace of mind by helping your lift trucks stay on the job. Every new Cat lift truck is covered by a 1-year / 2,000-hours warranty that includes parts and labor, as well as components and systems. With our standard 2-year / 4,000-hours extended powertrain warranty, you'll have the confidence that only comes from owning a Cat lift truck.

# 10 Specifications

| Characteristics  |  |     |      | NR15                                       |                 | NR18                  |             | NR20                  |                  | NR23                  |                 |
|------------------|--|-----|------|--|-----------------|-----------------------|-------------|-----------------------|------------------|-----------------------|-----------------|
| 1                | Type   |     |      | Single Reach                               |                 | Single Reach          |             | Single Reach          |                  | Single Reach          |                 |
| 2                | Power voltage  |     |      | 36   |                 | 36                    |             | 36                    |                  | 36                    |                 |
| 3                | Capacity at rated load center                                | lb  | kg   | 3,000                                      | 1,400           | 3,500                 | 1,600       | 4,000                 | 1,810            | 4,500                 | 2,040           |
| 4                | Capacity load center – distance from fork face               | in  | mm   | 24   | 600             | 24                    | 600         | 24                    | 600              | 24                    | 600             |
| Dimensions       |  |     |      | NR15                                       |                 | NR18                  |             | NR20                  |                  | NR23                  |                 |
| 5                | Maximum fork height  | in  | mm   | 450  | 6,147           | 450                   | 11,430      | 450                   | 11,430           | 450                   | 11,430          |
| 6                | Free fork height   | in  | mm   | 59   | 1,500           | 59                    | 1,500       | 59                    | 1,500            | 59                    | 1,500           |
| 7                | Fork width   | in  | mm   | 3.9  | 100             | 3.9                   | 100         | 3.9                   | 100              | 3.9                   | 100             |
| 8                | Fork thickness   | in  | mm   | 1.6  | 40              | 1.6                   | 40          | 1.6                   | 40               | 1.6                   | 40              |
| 9                | Fork spacing - out-to-out minimum                            | in  | mm   | 12   | 305             | 12                    | 305         | 12                    | 305              | 12                    | 305             |
| 10               | Fork spacing - out-to-out maximum <sup>1)</sup>              | in  | mm   | 31.5                                       | 802             | 31.5                  | 802         | 31.5                  | 802              | 31.5                  | 802             |
| 11               | Tilt angle - forward / backward                              | deg |      | 3° / 4°                                    |                 | 3° / 4°               |             | 3° / 4°               |                  | 3° / 4°               |                 |
| 11a              | Reach stroke   | in  | mm   | 24   | 610             | 24                    | 610         | 24                    | 610              | 24                    | 610             |
| 12               | Mast width <sup>2)</sup>                                     | in  | mm   | 30.2                                       | 766             | 30.2                  | 766         | 32.2                  | 816              | 32.2                  | 816             |
| 13               | Baseleg opening  | in  | mm   | 33-49                                      | 839 - 1,245     | 33-49                 | 839 - 1,245 | 33 - 49               | 839 - 1,245      | 33 - 49               | 839 - 1,245     |
| 14               | Baseleg width <sup>3)</sup>                                  | in  | mm   | 5.5  | 140             | 5.5                   | 140         | 5.5                   | 140              | 5.5                   | 140             |
| 15               | Overall length   | in  | mm   | 74.1                                       | 1,932           | 74.1                  | 1,932       | 76.1                  | 1,932            | 76.1                  | 1,932           |
| 16               | Length to fork face  | in  | mm   | 52   | 1,397           | 52                    | 1,397       | 55                    | 1,397            | 55                    | 1,397           |
| 17               | Overall chassis width  | in  | mm   | 41.5                                       | 1,054           | 41.5                  | 1,054       | 41.5                  | 1,054            | 41.5                  | 1,054           |
| 18               | Overall lowered height                                       | in  | mm   | 107  | 2,720           | 107                   | 2,720       | 107                   | 2,720            | 107                   | 2,720           |
| 19               | Overall height to top of overhead guard                      | in  | mm   | 95   | 2,413           | 95                    | 2,413       | 95                    | 2,413            | 95                    | 2,413           |
| 20               | Overall height with extended mast                            | in  | mm   | 290  | 7,370           | 290                   | 7,370       | 290                   | 7,370            | 290                   | 7,370           |
| 21               | Step height  | in  | mm   | 9.8  | 250             | 9.8                   | 250         | 9.8                   | 250              | 9.8                   | 250             |
| 22               | Battery roller height  | in  | mm   | 7  | 178             | 7                     | 178         | 7                     | 178              | 7                     | 178             |
| 23               | Minimum outside turning radius                               | in  | mm   | 68.74                                      | 1,797           | 68.74                 | 1,797       | 70.74                 | 1,797            | 70.74                 | 1,797           |
| 24               | Minimum aisle - 90° stack - zero clearance                   | in  | mm   | Please consult your Cat Lift Trucks dealer |                 |                       |             |                       |                  |                       |                 |
| Performance      |  |     |      | NR15                                       |                 | NR18                  |             | NR20                  |                  | NR23                  |                 |
| 26               | Grade clearance <sup>5)</sup>                                | %   |      | 13   |                 | 13                    |             | 15.5                  |                  | 15.5                  |                 |
| 27               | Travel speed loaded / empty – standard <sup>6)</sup>         | mph | km/h | 6.8 / 7.5                                  | 11.0 / 12.1     | 6.8 / 7.5             | 11.0 / 12.1 | 6.8 / 7.5             | 12.1 / 12.1      | 7.5 / 7.5             | 12.1 / 12.1     |
| 28               | Travel speed loaded / empty – high performance <sup>6)</sup> | mph | km/h | —  | —               | —                     | —           | 7.5 / 8.0             | 12.1 / 12.9      | 7.5 / 8.0             | 12.1 / 12.9     |
| 29               | Lift speed loaded / empty – standard                         | fpm | m/s  | 100 / 128                                  | 0.51 / 0.65     | 100 / 128             | 0.51 / 0.65 | 75 / 120              | 0.38 / 0.60      | 75 / 120              | 0.38 / 0.60     |
| 30               | Lift speed loaded / empty – high performance                 | fpm | m/s  | —  | —               | —                     | —           | 90 / 165              | 0.45 / 0.83      | 90 / 165              | 0.45 / 0.83     |
| 31               | Lower speed loaded / empty – standard                        | fpm | m/s  | 108 / 108                                  | 0.55 / 0.55     | 108 / 108             | 0.55 / 0.55 | 110 / 110             | 0.55 / 0.55      | 110 / 110             | 0.55 / 0.55     |
| 32               | Lower speed loaded / empty – high performance                | fpm | m/s  | —  | —               | —                     | —           | 110 / 110             | 0.55 / 0.55      | 110 / 110             | 0.55 / 0.55     |
| 33               | Gradeability - loaded / empty - maximum                      | %   |      | 9 / 9                                      |                 | 9 / 9                 |             | 9 / 9                 |                  | 9 / 9                 |                 |
| Weight           |  |     |      | NR15                                       |                 | NR18                  |             | NR20                  |                  | NR23                  |                 |
| 36               | Truck weight - empty - without battery                       | lb  | kg   | 6,850                                      | 3,100           | 6,850                 | 3,100       | 7,050                 | 3,200            | 7,050                 | 3,200           |
| 37               | Battery weight - minimum                                     | lb  | kg   | 1,600                                      | 730             | 1,600                 | 730         | 2,000                 | 910              | 2,000                 | 910             |
| 38               | Battery weight - maximum                                     | lb  | kg   | 2,000                                      | 910             | 2,000                 | 910         | 2,300                 | 1,050            | 2,300                 | 1,050           |
| Chassis          |  |     |      | NR15                                       |                 | NR18                  |             | NR20                  |                  | NR23                  |                 |
| 39               | Chassis type (stand/sit)                                     |     |      | Stand                                      |                 | Stand                 |             | Stand                 |                  | Stand                 |                 |
| 40               | Wheelbase  | in  | mm   | 59.5                                       | 1,562           | 59.5                  | 1,562       | 61.5                  | 1,562            | 61.5                  | 1,562           |
| 41               | Ground clearance - center of wheelbase                       | in  | mm   | 2.4  | 61              | 2.4                   | 61          | 2.4                   | 61               | 2.4                   | 61              |
| 42               | Ground clearance - lowest point at mast                      | in  | mm   | 2.4  | 61              | 2.4                   | 61          | 2.4                   | 61               | 2.4                   | 61              |
| 43               | Tire size - steer  | in  | mm   | 13.5 x 5.5                                 | 343 x 140       | 13.5 x 5.5            | 343 x 140   | 13.5 x 5.5            | 343 x 140        | 13.5 x 5.5            | 343 x 140       |
| 44               | Tire size - caster   | in  | mm   | 7 x 4                                      | 180 x 100       | 7 x 4                 | 180 x 100   | 7 x 4                 | 180 x 100        | 7 x 4                 | 180 x 100       |
| 45               | Tire size - load wheels                                      | in  | mm   | 5 x 3.62                                   | 127 x 92        | 5 x 3.62              | 127 x 92    | 5 x 3.62              | 127 x 92         | 5 x 3.62              | 127 x 92        |
| 46               | Brake type   |     |      | Electromagnetic Disc                       |                 | Electromagnetic Disc  |             | Electromagnetic Disc  |                  | Electromagnetic Disc  |                 |
| Motors / Battery |  |     |      | NR15                                       |                 | NR18                  |             | NR20                  |                  | NR23                  |                 |
| 47               | Traction / pump / steer motor type                           |     |      | AC Induction                               |                 | AC Induction          |             | AC Induction          |                  | AC Induction          |                 |
| 48               | Traction motor output (60 minute rating) – standard          | hp  | kW   | 6.0  | 4.5             | 6.0                   | 4.5         | 6.0                   | 4.5              | 6.0                   | 4.5             |
| 49               | Traction motor output (60 minute rating) – high performance  | hp  | kW   | —  | —               | —                     | —           | 9.2                   | 6.9              | 9.2                   | 6.9             |
| 50               | Pump motor output (5 minute rating)                          | hp  | kW   | 27.2                                       | 20              | 27.2                  | 20          | 27.2                  | 20               | 27.2                  | 20              |
| 51               | Steer motor output (60 minute rating)                        | hp  | kW   | 1.0  | 0.7             | 1.0                   | 0.7         | 1.0                   | 0.7              | 1.0                   | 0.7             |
| 52               | Battery maximum capacity - A/H (6 hour rating)               |     |      | 1,120                                      |                 | 1,120                 |             | 1,120                 |                  | 1,120                 |                 |
| 53               | Battery compartment (length x width x height) <sup>7)</sup>  | in  | mm   | 14.25 x 38.42 x 31.65                      | 362 x 976 x 804 | 14.25 x 38.42 x 31.65 | 362x976x804 | 16.25 x 38.42 x 31.65 | 413 x 976 x 8 04 | 16.25 x 38.42 x 31.65 | 413 x 976 x 804 |

NOTE: These specifications assume the use of drive axles, tires and tilt angles specified. Any modification to specifications, or any other combination of specifications made after the shipment of the truck, requires prior written approval from Logisnext Americas Inc. (See ANSI/ITSDF B56.1.) Also be advised that overall operating visibility may be affected by the mast configuration and mast options of your lift truck. Therefore, you may need to add ancillary [auxiliary] devices or modify your operating practices. Consult your dealer for further information.

| NR23LN                |                 | ND18                  |                 | ND18LN                |                 |
|-----------------------|-----------------|-----------------------|-----------------|-----------------------|-----------------|
| Deep Reach            |                 | Deep Reach            |                 | Single Reach          |                 |
| 36                    |                 | 36                    |                 | 36                    |                 |
| 4,500                 | 2,040           | 3,500                 | 1,580           | 3,500                 | 1,600           |
| 24                    | 600             | 24                    | 600             | 24                    | 600             |
| NR23LN                |                 | ND18                  |                 | ND18LN                |                 |
| 450                   | 11,430          | 450                   | 11,430          | 450                   | 11,430          |
| 59                    | 1,500           | 59                    | 1,500           | 59                    | 1,500           |
| 3.9                   | 100             | 3.9                   | 100             | 3.9                   | 100             |
| 1.6                   | 40              | 1.6                   | 40              | 1.6                   | 40              |
| 14.2                  | 360             | 12                    | 305             | 14.2                  | 360             |
| 32.5                  | 825             | 31.5                  | 802             | 32.5                  | 825             |
| 3° / 4°               |                 | 3° / 4°               |                 | 3° / 4°               |                 |
| 24                    | 610             | 42                    | 1,067           | 42                    | 1,067           |
| 32.5                  | 825             | 32.2                  | 816             | 32.5                  | 825             |
| 33 - 49               | 839 - 1,245     | 33 - 49               | 839 - 1,245     | 33-49                 | 839 -1,245      |
| 5.5                   | 140             | 5                     | 127             | 5.5                   | 140             |
| 77.4                  | 1,967           | 78.1                  | 1,983           | 79.4                  | 2,018           |
| 56                    | 1,422           | 62.3                  | 1,582           | 63.3                  | 1,607           |
| 48                    | 1,220           | 41.5                  | 1,054           | 48                    | 1,220           |
| 107                   | 2,720           | 107                   | 2,720           | 107                   | 2,720           |
| 92.5                  | 2,349           | 95                    | 2,413           | 92.5                  | 2,349           |
| 290                   | 7,370           | 290                   | 7,370           | 290                   | 7,370           |
| 9.8                   | 250             | 9.8                   | 250             | 9.8                   | 250             |
| 7                     | 178             | 7                     | 178             | 7                     | 178             |
| 73.1                  | 1,858           | 70.74                 | 1,797           | 73.1                  | 1,858           |
| NR23LN                |                 | ND18                  |                 | ND18LN                |                 |
| 14                    |                 | 15.5                  |                 | 14                    |                 |
| —                     | —               | 7.5 / 7.5             | 12.1 / 12.1     | —                     | —               |
| 7.5 / 8.0             | 12.1 / 12.9     | 7.5 / 8.0             | 12.1 / 12.9     | 7.5 / 8.0             | 12.1 / 12.9     |
| —                     | —               | 75 / 120              | 0.38 / 0.60     | —                     | —               |
| 90 / 165              | 0.45 / 0.83     | 90 / 165              | 0.45 / 0.83     | 90 / 165              | 0.45 / 0.86     |
| —                     | —               | 110 / 110             | 0.55 / 0.55     | —                     | —               |
| 110 / 110             | 0.55 / 0.55     | 110 / 110             | 0.55 / 0.55     | 110 / 110             | 0.55 / 0.55     |
| 9 / 10                |                 | 9 / 9                 |                 | 9 / 10                |                 |
| NR23LN                |                 | ND18                  |                 | ND18LN                |                 |
| 7,050                 | 3,200           | 7,400                 | 3,350           | 7,400                 | 3,350           |
| 2,000                 | 910             | 2,000                 | 910             | 2,000                 | 910             |
| 2,300                 | 1,050           | 2,300                 | 1,050           | 2,300                 | 1,050           |
| NR23LN                |                 | ND18                  |                 | ND18LN                |                 |
| Sit / Stand           |                 | Stand                 |                 | Sit / Stand           |                 |
| 62.9                  | 1,597           | 61.5                  | 1,562           | 62.9                  | 1,597           |
| 2.4                   | 61              | 2.4                   | 61              | 2.4                   | 61              |
| 2.4                   | 61              | 2.4                   | 61              | 2.4                   | 61              |
| 13.5 x 5.5            | 343 x 140       | 13.5 x 5.5            | 343 x 140       | 13.5 x 5.5            | 343 x 140       |
| 7 x 4                 | 180 x 100       | 7 x 4                 | 180 x 100       | 7 x 4                 | 180 x 100       |
| 5 x 3.62              | 127 x 92        | 5 x 3.62              | 127 x 92        | 5 x 3.62              | 127 x 92        |
| Electromagnetic Disc  |                 | Electromagnetic Disc  |                 | Electromagnetic Disc  |                 |
| NR23LN                |                 | ND18                  |                 | ND18LN                |                 |
| AC Induction          |                 | AC Induction          |                 | AC Induction          |                 |
| 6.0                   | 4.5             | 6.0                   | 4.5             | 9.2                   | 6.9             |
| 9.2                   | 6.9             | 9.2                   | 6.9             | —                     | —               |
| 27.2                  | 20              | 27.2                  | 20              | 27.2                  | 20              |
| 1.0                   | 0.7             | 1.0                   | 0.7             | 1.0                   | 0.7             |
| 1,120                 |                 | 1,120                 |                 | 1,120                 |                 |
| 16.25 x 38.86 x 34.17 | 413 x 987 x 868 | 16.25 x 38.42 x 31.65 | 413 x 976 x 804 | 16.25 x 38.86 x 34.17 | 413 x 987 x 868 |



## Safety Standards

These trucks meet American National Standards Institute/ Industrial Truck Standards Development Foundation, ANSI/ITSDF B56.1. Users should be aware of, and adhere to, applicable codes and regulations regarding operator training, use, operation and maintenance of powered industrial trucks, including:

- ANSI/ITSDF B56.1.
- NFPA 505, fire safety standard for powered industrial trucks – type designations, areas of use, maintenance, and operation.
- Occupational Safety and Health Administration (OSHA) regulations that may apply.

Specifications, equipment, technical data, photos and illustrations based on information at time of printing and subject to change without notice. Some products may be shown with optional equipment.

Add 9.1 in (230mm) for extended operator backrest

- 1) Maximum fork spacing 27.5 inches (698 mm) with 33 inch BLO.
- 2) Out-to-out dimension across mast outer channels.
- 3) 5.9 inches (150 mm) on single reach trucks with MFH over 332 inches (8430 mm).
- 4) 7.3 inches (186 mm) on single reach trucks with mast MFH above 332 inches (8430 mm).
- 5) Reduce grade clearance by 1.5% with 18.25 inch (463 mm) battery compartment length or 21.25 inch (539 mm) battery compartment length vs. 16.25 inch (412 mm) length.
- 6) Maximum speed attainable, after break-in period, varies with truck travel direction, weight, rolling resistance, mast height, options and battery condition.
- 7) 21.25 inch (539 mm) battery compartment length standard on chassis with MFH over 332 inches (8430 mm).

Note: Equipping this model (these models) with a power source (e.g. Lithium-ion, Hydrogen Fuel cell, etc.) that has not been previously approved by the factory is considered a modification. Per OSHA 1910.178 and ANSI/ITSDF B56.1, please consult with your factory representative prior to installing any non-OEM power source that has not been previously approved.



**Your Cat lift truck dealer** can provide additional options and features to specialize your lift truck for your unique application. Operator training and custom financing programs are also available to help find the right fit for your business.

Helping move businesses forward – that's how we're built.

**1-800-CAT-LIFT | [www.logisnextamericas.com/cat](http://www.logisnextamericas.com/cat)**

© 2026 Logisnext Americas Inc. CAT, CATERPILLAR, LET'S DO THE WORK, their respective logos, "Caterpillar Corporate Yellow", the "Power Edge", and Cat "Modern Hex" trade dress as well as corporate and product identity used herein, are trademarks of Caterpillar used under license and may not be used without permission from Caterpillar. Some products may be shown with optional equipment.

CECN0400

04/26

**CAT**® Lift  
Trucks