



POWER & EFFICIENCY

**9,000 – 12,000 LB. CAPACITY
ELECTRIC PNEUMATIC TIRE LIFT TRUCKS**



POWER THROUGH YOUR TOUGHEST JOBS

Built For Your Operation

These new electric pneumatic tire Cat® lift trucks are a new twist on an established legacy. Built for the most demanding indoor and outdoor applications, this lineup offers uncompromising power and performance, maneuverability, intelligent control systems and lower total cost of ownership than their IC engine powered counterparts.

ADVANTAGES TO YOU:

- Performance levels designed to match IC powered lift trucks with lower total cost of ownership and zero emissions.
- Maneuverability and control systems electric lift truck operators expect with technological advancements.
- Ergonomics and safety features provide operators the ability to move your product effectively with confidence and comfort.

KEY APPLICATIONS:

- Transportation equipment
- Wholesale trade - durable goods
- Paper and allied products
- Textile mill products
- Fabricated metal products
- Stone, clay and glass
- Food and kindred products



INTELLIGENT PRODUCTIVITY:

- All-wheel steering offers good grip, smooth turning and extremely agile steering aided by the +100 degree rear steer axle that enables side turn with very little rear movement.
- The Responsive Drive System is designed for rapid adaptation of performance in reaction to the commands of the operator, ensuring smooth starts, stops and hydraulic activity.
- Front wheels can be locked automatically at small steering angles or manually via an optional pedal function to increase traction on slippery surfaces.
- Hill hold engages the brake system when the accelerator is released on a grade to hold the truck in place and not allow for unintended rolling down a ramp with a load.
- Smoothflow hydraulic system proactively adjusts to the load weight for smooth and precise control of the mast and forks.
- Load control is increased with automatic hydraulic control tuning when lifting over certain heights and passive sway control allows for stress on the mast to be absorbed by the chassis.

HEAVY-DUTY PERFORMANCE:

- 80V AC drive system to provide performance comparable to similar internal combustion powered units, but includes the efficiency and total cost of ownership savings that come with our electric product lineup.
- The Powerburst system automatically provides additional torque and acceleration when the operator needs it, even when carrying large loads.
- Standard wet disc brakes require less maintenance and allow for regenerative braking, sending energy back to the battery.
- Standard pre-set ECO and PRO modes allow the truck to be set at the level that is required by the application, but also the level necessitated by the experience of the operator.

COMFORT AND CONFIDENCE:

- Integrated Presence System (IPS) includes lockout of both hydraulic and travel functions if the operator is not in the normal operating position in the seat.
- Quiet drive units keep the driver comfortable and can help increase awareness of surrounding areas.
- Spacious operator compartment is rubber mounted to further minimize noise and vibration during operation.
- Easy and smooth entry/exit to/from the operator compartment.
- Emphasis on storage space for tools, mobile devices, bottles and other personal items makes the truck a comfortable office space for operators.
- For low-light conditions, standard light packages are included which provide forward and reverse LED lights.



Local service and support



Genuine OEM parts



Custom financing packages

MORE CONFIDENCE





Factory warranty for added protection

Local Support You Can Count On

A Cat lift truck purchase connects you to a variety of material handling solutions, including world-class service and support from your local, trusted dealer. With trained service technicians, a diverse parts inventory and a broad selection of service options, your local dealer can help you lower costs, enhance productivity and more efficiently manage your business.

FINANCING MADE SIMPLE

Financing your next Cat lift truck is easy with our wide range of flexible leasing and purchasing options. Whether you want to finance or lease, your local Cat lift truck dealer can help customize a package for your business.

WHEN EVERY PART COUNTS

When buying from your local Cat lift truck dealer, you can rest assured that your genuine OEM parts are manufactured to meet original equipment criteria. Additionally, all Cat lift trucks OEM parts come with a six-month, unlimited-hours warranty.

When speed is critical, our Parts Fast Or Parts Free Guarantee* ensures next-business-day delivery of all Cat lift trucks parts, or they're free, including freight. If your part doesn't come in by the next business day, we pay for it.

STANDING BEHIND OUR PRODUCTS

We deliver peace of mind by helping your lift trucks stay on the job. Every new Cat lift truck is covered by a 1-year / 2,000-hours warranty that includes parts and labor, as well as components and systems. With our standard 2-year / 4,000-hours extended powertrain warranty, you'll have the confidence that only comes from owning a Cat lift truck.

* At dealer's location.

† Programs may be subject to change without notice and may vary by region. Please ask your local Cat lift truck dealer for complete terms and conditions.

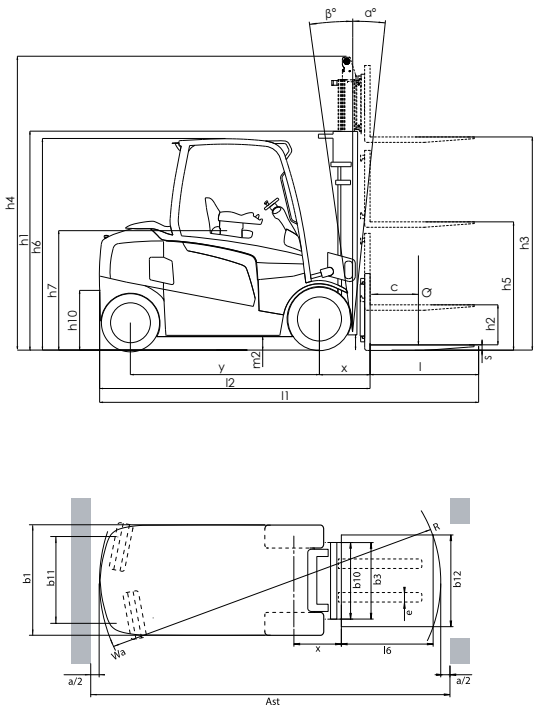
Specifications

Characteristics				EP40N		EP45N		EP50CN	
1	Capacity at rated load center	lb	kg	9,000	4,082	10,000	4,535	11,000	4,990
2	Load center – distance	in	mm	19.68	600	19.68	500	19.68	600
3	Power – diesel, gasoline, LP gas, electric			Electric		Electric		Electric	
4	Tire type – cushion, solid pneumatic			Solid pneumatic		Solid pneumatic		Solid pneumatic	
5	Wheels (x=driven) number front / rear			2X/2		2X/2		2X/2	
Dimensions				EP40N		EP45N		EP50CN	
6	Maximum fork height (top of forks)	in	mm	130.0	3,300	130.0	3,300	130.0	3,300
7	Free lift	in	mm	5.9	150	5.9	150	5.9	150
8	Forks – thickness x length x width	in	mm	1.9 / 5.9 / 472	50/150/1,200	1.9 / 5.9 / 472	50/150/1,200	1.9 / 5.9 / 472	50/150/1,200
9	Fork spacing – out-to-out minimum / maximum	in	mm	11,8/44,3	300/1,125	11,8/44,3	300/1,125	11,8/44,3	300/1,125
10	Tilt – forward / backward	deg		6 / 8		6 / 8		6 / 8	
11	Overall length (with 42" long forks)	in	mm	207.5	5,271	207.5	5,271	207.5	5,271
12	Length to fork face (includes fork thickness)	in	mm	111.2	2,825	111.2	2,825	111.2	2,825
13	Overall width with standard tires	in	mm	53.9	1,370	53.9	1,370	57.0	1,450
14	Overall width with wide stance tires	in	mm	68.0	1,728	68.0	1,728	68.0	1,728
15	Height to top of lowered mast	in	mm	95.3	2,420	95.3	2,420	95.3	2,420
16	Seat height to SIP	in	mm	52.0	1,320	52.0	1,320	52.0	1,320
17	Height to top of overhead guard	in	mm	92.1	2,340	92.1	2,340	92.1	2,340
18	Drawbar pin height	in	mm	26.6	675	26.6	675	26.6	675
19	Height with mast raised	in	mm	165.5	4,205	165.5	4,205	165.5	4,205
20	Minimum outside turning radius	in	mm	90.1	2,289	90.1	2,289	90.1	2,289
21	Load distance, axle to fork face	in	mm	21.3	540	21.3	540	21.3	540
22	Minimum aisle – 90° stack - zero clearance without load	in	mm	111.2	2,825	111.2	2,825	111.2	2,825
Performance				EP40N		EP45N		EP50CN	
23	Travel speed – loaded / empty	mph	km/h	11 / 12	18 / 20	11 / 12	18 / 20	11 / 12	18 / 20
25	Lift speed – loaded / empty	fpm	m/s	80.7 / 104.3	0.41 / 0.53	74.8 / 104.3	0.38 / 0.53	68.8 / 104.3	0.35 / 0.53
27	Lowering speed – loaded / empty	fpm	m/s	104.3 / 100.3	0.53 / 0.51	102.3 / 100.3	0.52 / 0.51	102.3 / 100.3	0.52 / 0.51
28	Gradeability – loaded at 1 mph (1.6 kmh)	%		15%		15%		14%	
30	Maximum gradeability – loaded / empty	%		15.8 / 26.6		15.6 / 23.7		14.6 / 22.6	
Weight				EP40N		EP45N		EP50CN	
31	Empty – with minimum weight battery	lb	kg	16,071	7,290	16,860	7,648	17,617	7,991
32	Axle load – with rated load (front / rear)	lb	kg	22,134 / 2,755	10,040 / 1,250	23,798 / 2,982	10,795 / 1,353	25,516 / 3,123	11,574 / 1,417
33	Axle load – without rated load (front / rear)	lb	kg	8,602 / 7,469	3,902 / 3,388	8,575 / 8,284	3,890 / 3,758	8,602 / 9,014	3,902 / 4,089
Chassis				EP40N		EP45N		EP50CN	
34	Tire size – front, standard duals	in	mm	250-15/7.00	711x225	250-15/7.00	711x225	355/50-15/9.75	710x284
35	Tire size – rear	in	mm	7.00-12/5.00	650x172	7.00-12/5.00	650x172	7.00-12/5.00	650x172
36	Wheelbase	in	mm	76.6	1,946	76.6	1,946	76.6	1,946
37	Tread width – front, standard tires	in	mm	45.0	1,143	45.0	1,143	45.4	1,154
38	Tread width – rear tires	in	mm	46.0	1,169	46.0	1,169	46.0	1,169
39	Ground clearance – at lowest point at mast	in	mm	5.9	150	5.9	150	5.9	150
40	Ground clearance – at center of wheelbase	in	mm	5.9	150	5.9	150	5.9	150
41	Service brakes	type		Hydraulic		Hydraulic		Hydraulic	
42	Parking brakes	type		Hydraulic		Hydraulic		Hydraulic	
Powertrain				EP40N		EP45N		EP50CN	
43	Battery type			lead-acid		lead-acid		lead-acid	
44	Battery capacity at 6 hr. discharge rate	Ah	kWh	775	62	775	62	775	62
46	Battery weight, minimum	lb	kg	3,885	1,760	3,880	1,760	3,885	1,760
47	Battery weight, maximum	lb	kg	4,409.2	2,000	4,410	2,000	4,410	2,000
48	Battery compartment size, maximum	in	mm	33.7x40.5x30.9	855x1,028x784	33.7x40.5x30.9	855x1,028x784	33.7x40.5x30.9	855x1,028x784
49	Drive motor capacity (60 min. rating)	HP	kW	2x21.5	2x16	2x21.5	2x16	2x21.5	2x16
50	Lift output (15% rating)	HP	kW	45.5	34	45.5	34	45.5	34
51	Drive / hydraulic controls	type		AC		AC		AC	
52	Relief pressure for attachments	PSI	Mpa	3,045	21.0	3,045	21.0	3,045	21.0
53	Flow rate for attachments	gpm	lpm	12.0	45	12.0	45	12.0	45

NOTE: These specifications assume the use of drive axles, tires and tilt angles specified. Any modification to specifications, or any other combination of specifications made after the shipment of the truck, requires prior written approval from Logisnext Americas Inc. (See ANSI/ITSDF B56.1.) Also be advised that overall operating visibility may be affected by the mast configuration and mast options of your lift truck. Therefore, you may need to add ancillary [auxiliary] devices or modify your operating practices. Consult your dealer for further information.

Call-out numbers shown in the diagram correspond to the first column of the specifications chart.

EP50N		EP50NH		EP55NH		
1	11,000	4,990	11,000	4,990	12,000 5,443	
2	19.07	600	23.60	600	23.60 600	
3	Electric		Electric		Electric	
4	Solid pneumatic		Solid pneumatic		Solid pneumatic	
5	2X/2		2X/2		2X/2	
EP50N		EP50NH		EP55NH		
6	130.0	3,300	130.0	3,300	130.0 3,300	
7	5.9	150	6.3	160	6.3 160	
8	1.9 / 5.9 / 47.2	50/150/1,200	2.3 / 5.9 / 47.2	60/150/1,200	2.3 / 5.9 / 47.2 60/150/1,200	
9	11,8/44,3	300/1, 125	11,8/44,3	300/1, 125	11,8/44,3 300/1, 125	
10	6 / 8		6 / 8		6 / 8	
11	207.5	5,271	213.0	5,411	213.0 5,411	
12	116.9	2,970	117.7	2,990	117.7 2,990	
13	57.0	1,450	57.0	1,450	57.0 1,450	
14	68.0	1,728	68.0	1,728	68.0 1,728	
15	95.3	2,420	95.3	2,420	95.3 2,420	
16	52.0	1,320	52.0	1,320	52.0 1,320	
17	92.1	2,340	92.1	2,340	92.1 2,340	
18	26.6	675	26.6	675	26.6 675	
19	165.5	4,205	171.0	4,345	171.0 4,345	
20	95.8	2,434	95.8	2,434	95.8 2,434	
21	21.3	540	22.0	560	22.0 560	
22	116.9	2,970	117.7	2,990	117.7 2,990	
EP50N		EP50NH		EP55NH		
23	11 / 12	18 / 20	11 / 12	18 / 20	11 / 12 18 / 20	
25	68.8 / 104.3	0.35 / 0.53	68.8 / 104.3	0.35 / 0.53	62.9 / 104.3 0.32 / 0.53	
27	102.3 / 100.3	0.52 / 0.51	102.3 / 100.3	0.52 / 0.51	100.3 / 100.3 0.51 / 0.51	
28	14%		13.5%		13%	
	16.6 / 28.7		16.5 / 28.2		16.4 / 27.3	
EP50N		EP50NH		EP55NH		
31	18,401	8,347	18,677	8,472	19,204 8,711	
32	25,492 / 3,933	11,563 / 1,784	26,475 / 3,225	12,009 / 1,463	28,216 / 3,112 12,799 / 1,412	
33	8,983 / 9,418	4,075 / 4,272	9,334 / 9,343	4,234 / 4,238	9,360 / 9,843 4,246 / 4,465	
EP50N		EP50NH		EP55NH		
34	355/50-15/9.75	710x284	355/50-15/9.75	710x284	355/50-15/9.75 710x284	
35	700-12/5.00	650x172	700-12/5.00	650x172	700-12/5.00 650x172	
36	82.3	2,090	82.3	2,090	82.3 2,090	
37	45.4	1,154	45.4	1,154	45.4 1,154	
38	46.0	1,169	46.0	1,169	46.0 1,169	
39	5.9	150	5.9	150	5.9 150	
40	5.9	150	5.9	150	5.9 150	
41	Hydraulic		Hydraulic		Hydraulic	
	Hydraulic		Hydraulic		Hydraulic	
EP50N		EP50NH		EP55NH		
43	lead-acid		lead-acid		lead-acid	
44	930	74.4	930	74.4	930 74.4	
46	4,435	2,010	4,435	2,010	4,435 2,010	
47	4,410	2,000	5,180	2,350	5,048 2,350	
48	33.7x40.5x30.9	855x1,028x784	39.3x40.5x30.9	999x1,028x784	39.3x40.5x30.9 999x1,028x784	
49	2x21,5	2x16	2x21,5	2x16	2x21,5 2x16	
50	45.5	34	45.5	34	45.5 34	
51	AC		AC		AC	
52	3,045	21.0	3,045	21.0	3,045 21.0	
45	12.0	45	12.0	45	12.0 45	



Note: Equipping this model (these models) with a power source (e.g. Lithium-ion, Hydrogen Fuel cell, etc.) that has not been previously approved by the factory is considered a modification. Per OSHA 1910.178 and ANSI/ITSDF B56.1, please consult with your factory representative prior to installing any non-OEM power source that has not been previously approved.

Safety Standards

These trucks meet American National Standards Institute/ Industrial Truck Standards Development Foundation, ANSI/ITSDF B56.1. Users should be aware of, and adhere to, applicable codes and regulations regarding operator training, use, operation and maintenance of powered industrial trucks, including:

- ANSI/ITSDF B56.1.
- NFPA 505, fire safety standard for powered industrial trucks - type designations, areas of use, maintenance, and operation.
- Occupational Safety and Health Administration (OSHA) regulations that may apply.

Specifications, equipment, technical data, photos and illustrations based on information at time of printing and subject to change without notice. Some products may be shown with optional equipment.

1) Add 1.0" (25mm) if truck is equipped with a triplex mast; Add an additional 0.9" (23mm) if equipped with an integrated sideshifter, or an additional 2.4" (60mm) if equipped with a hang-on sideshifter.

Note: Equipping this model (these models) with a power source (e.g. Lithium-ion, Hydrogen Fuel cell, etc.) that has not been previously approved by the factory is considered a modification. Per OSHA 1910.178 and ANSI/ITSDF B56.1, please consult with your factory representative prior to installing any non-OEM power source that has not been previously approved.



Your Cat lift truck dealer can provide additional options and features to specialize your lift truck for your unique application. Operator training and custom financing programs are also available to help find the right fit for your business.

Helping move businesses forward – that’s how we’re built.

*The product shown may be different than the actual configuration based on market requirements.

1-800-CAT-LIFT | www.logisnextamericas.com/cat

© 2026 Logisnext Americas Inc. CAT, CATERPILLAR, LET’S DO THE WORK, and their respective logos “Caterpillar Corporate Yellow”; the “Power Edge” and Cat “Modern Hex” trade dress as well as corporate and product identity used herein are trademarks of Caterpillar used under license and may not be used without permission from Caterpillar.

Some products may be shown with optional equipment.

CECM0403

03/26

