



REAL POWER. REAL SOLUTIONS.

**3,000 – 4,000 LB. CAPACITY
3-WHEEL ELECTRIC PNEUMATIC
TIRE LIFT TRUCKS**

CAT® Lift
Trucks

TOTAL CONTROL

Delivering Premium Performance

The Cat® EP16PNT-EP20PNT electric pneumatic tire series is designed to work – delivering high-performance levels and increased productivity even in challenging applications. Featuring enhanced energy efficiency, exceptional productivity levels and premium operator ergonomics, these lift trucks are designed for what matters most – getting the job done.

ADVANTAGES TO YOU:

- AC technology combined with enhanced performance levels and decreased maintenance requirements lead to increased productivity and uptime.
- Zero harmful emissions (HC, CO, NOx, PM).
- Reduced consumption and dependence on fossil fuels equate to overall lower cost of ownership.
- Comfortable operator cabin and electric power steering allow the operator to be more productive during long shifts.

KEY APPLICATIONS:

- Cold Storage
- Food Processing
- Grocery
- Warehousing
- Wholesale Trade



LITHIUM-ION AVAILABILITY:

- Greater power efficiency
- Run for 24 hours a day, 7 days a week with opportunity charging
- Zero battery maintenance
- No watering
- No more battery exchanges
- No gas emissions, odor or acidification
- No special charging areas or equipment needed
- Longer lasting life cycles (up to 3,000)
- 5-year warranty on batteries
- 2-year warranty on chargers





DURABILITY YOU CAN DEPEND ON



Built Tough For Rough Applications

These durable, electric Cat lift trucks can deliver performance similar to, or better than, an internal combustion (IC) forklift with all of the benefits of an electric, including an emission level reduction to almost zero, no fuel expense and lower forklift maintenance costs.



READY TO WORK

The EP16PNT-EP20PNT series is designed to operate at a high right rate of performance even in moist or dusty environments. These lift trucks feature:

- Sealed electrical components - allow operators to work effectively in extremely cold or damp applications.
- Wet disc brakes - provide added protection from contaminants, allowing the lift truck to thrive in moist or damp environments.

POWERFUL PERFORMANCE

This series is equipped with high-performance features to help your operators achieve maximum productivity throughout the shift.

- **Intuitive speed control** – helps operators remain in control while traveling at higher speeds and reduces the risk of damage to the operator, property and lift truck.
- **Regenerative braking** – the motors are designed to act as a generator during braking, effectively turning the lift truck's momentum into energy and feeding it back into the battery.
- **Closed AC motors** – allow these lift trucks to operate in environments that previously only IC trucks could handle. The truck's sealed systems provide better protection against dust, moisture and other debris that may be present in tough applications.
- **Solid pneumatic tires** - Better distribute floor loading weight on unpaved surfaces when carrying a load.



LESS MAINTENANCE, EASY TO SERVICE

With extended service intervals and sealed components, these lift trucks provide greater uptime to keep your business moving.

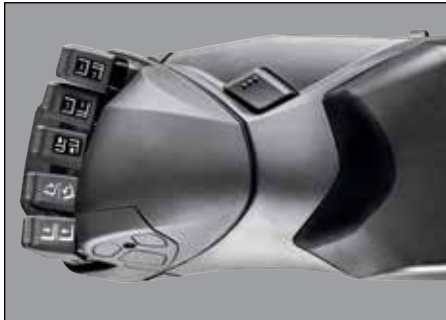
- 500-hour extended service intervals
- Display-based maintenance reminders
- Easy access to service components

SUPERIOR COMFORT

Designed For Your Operators

The EP16PNT-EP20PNT series is built with premium ergonomic features for operator comfort and control. From easy entry and exit to a smooth, quiet ride, this series is designed to keep your operators achieving maximum productivity from the first hour to the last.

- **Optional fingertip hydraulic controls** – allow easy maneuvering and offer low-effort, precise control with an integrated direction switch and horn.
- **Optimized visibility** – open layout of the overhead guard and slim mast profile offer excellent forward visibility when driving and lifting.

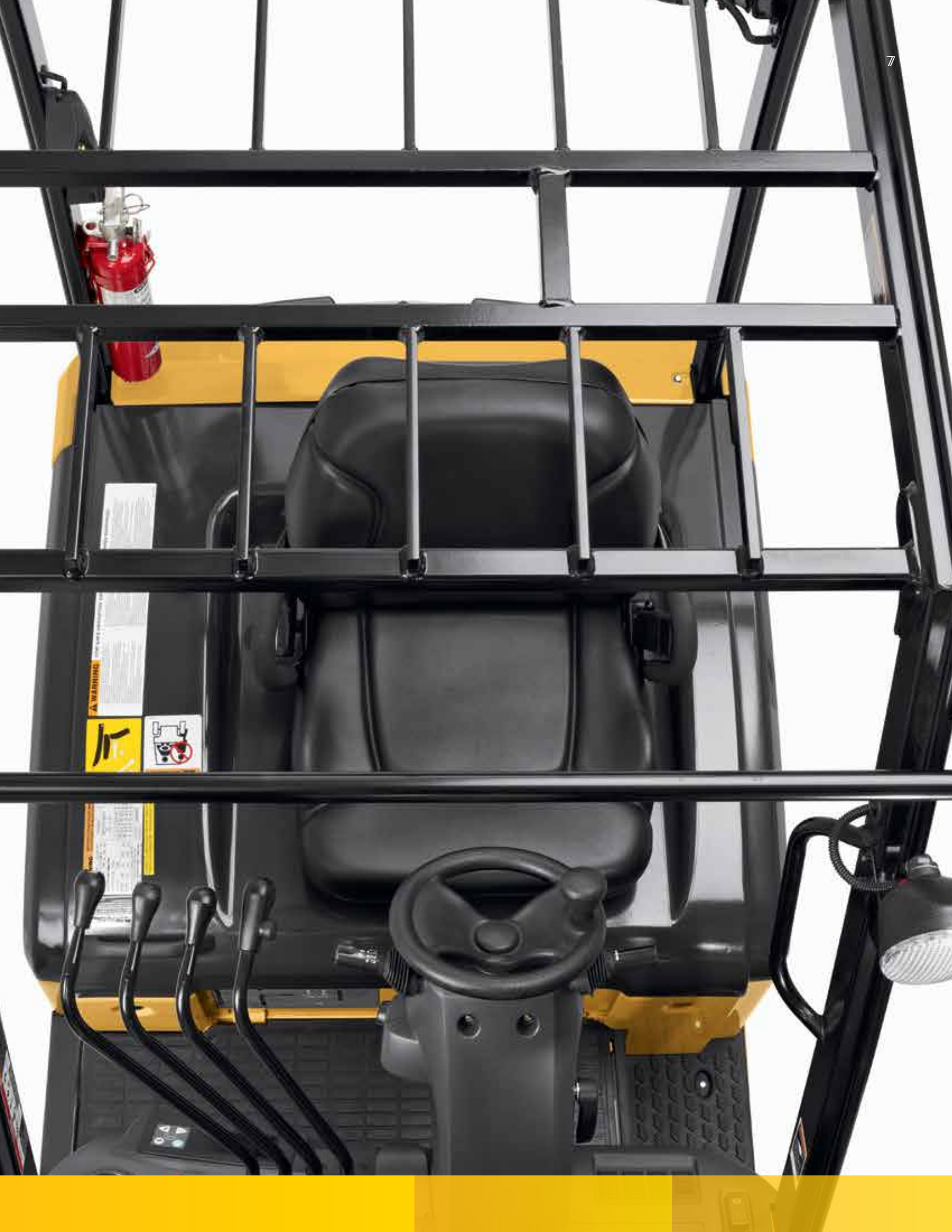


- **Spacious operator compartment** – three-way, adjustable full-suspension seat accommodates operators of any size, and the two-way adjustable steering column gives operators more leg room with lower steering effort.



- **Premium LCD/LED display panel** – helps raise awareness of the lift truck's critical fluid levels and the current operating condition.







Local service and support



Genuine OEM parts



Custom financing packages

MORE CONFIDENCE





Factory warranty for added protection



Local Support You Can Count On

A Cat lift truck purchase connects you to a variety of material handling solutions, including world-class service and support from your local, trusted dealer. With trained service technicians, a diverse parts inventory and a broad selection of service options, your local dealer can help you lower costs, enhance productivity and more efficiently manage your business.

FINANCING MADE SIMPLE

Financing your next Cat lift truck is easy with our wide range of flexible leasing and purchasing options. Whether you want to finance or lease, your local Cat lift truck dealer can help customize a package for your business.

WHEN EVERY PART COUNTS

When buying from your local Cat lift truck dealer, you can rest assured that your genuine OEM parts are manufactured to meet original equipment criteria. Additionally, all Cat lift trucks OEM parts come with a six-month, unlimited-hours warranty.

When speed is critical, our Parts Fast Or Parts Free Guarantee* ensures next-business-day delivery of all Cat lift trucks parts, or they're free, including freight. If your part doesn't come in by the next business day, we pay for it.

STANDING BEHIND OUR PRODUCTS

We deliver peace of mind by helping your lift trucks stay on the job. Every new Cat lift truck is covered by a 1-year / 2,000-hours warranty that includes parts and labor, as well as components and systems. With our standard 2-year / 4,000-hours extended powertrain warranty, you'll have the confidence that only comes from owning a Cat lift truck.

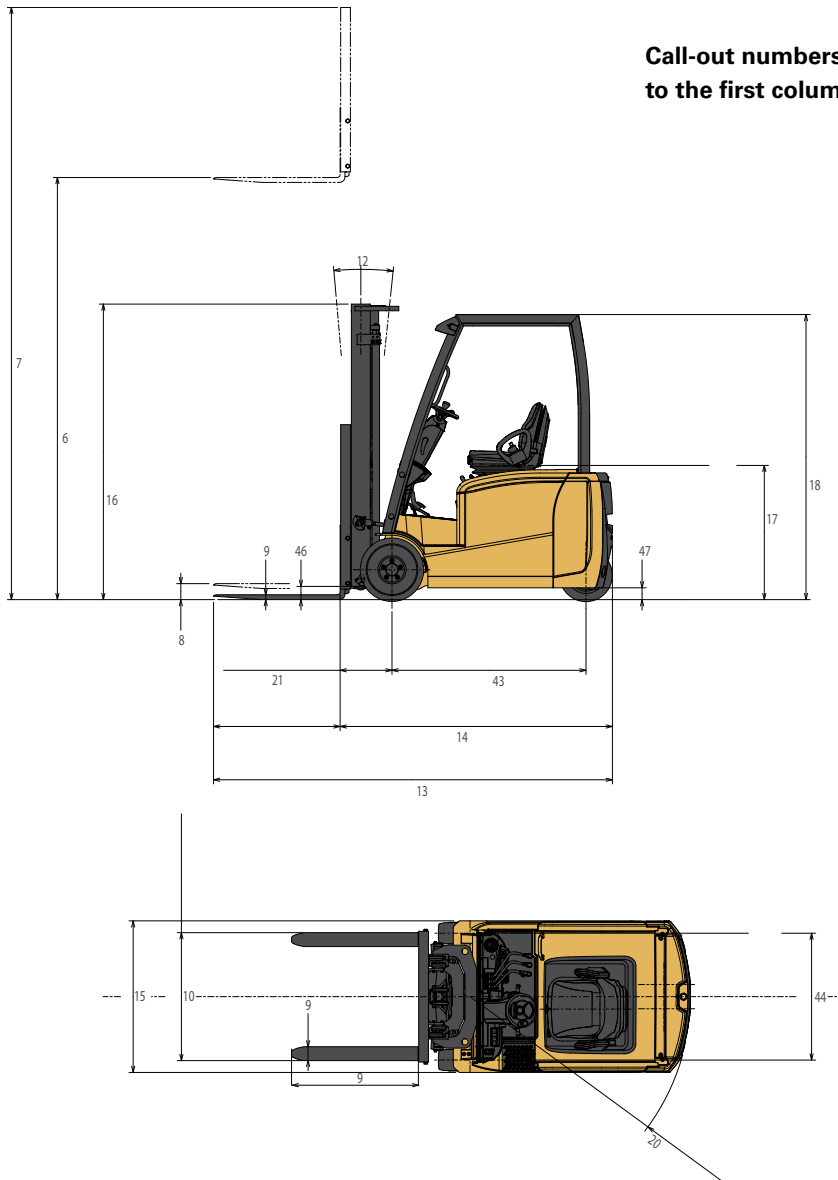
* At dealer's location.

† Programs may be subject to change without notice and may vary by region. Please ask your local Cat lift truck dealer for complete terms and conditions.

Specifications

Characteristics			EP16PNT		EP18PNT		EP20PNT	
1	Capacity at rated load center	lb kg	3,000	1,600	3,500	1,800	4,000	2,000
2	Capacity at load center – distance	in mm	24	500	24	500	24	500
3	Power – diesel, gasoline, LP gas, electric		electric		electric		electric	
4	Tire type – cushion, solid pneumatic		cushion		cushion		cushion	
5	Wheels (x=driven) number front / rear		2x / 2		2x / 2		2x / 2	
Dimensions			EP16PNT		EP18PNT		EP20PNT	
6	Lift height (see tables)	in mm	130.9	3,325	130.9	3,325	131.1	3,330
7	Overall height with mast raised	in mm	179.1	4,548	179.1	4,548	179.1	4,548
8	Free lift (see tables)		4.5	115	4.5	115	4.7	120
9	Fork dimensions – thickness x width x length	in mm	1.4 x 3.9 x 42.0	35 x 100 x 1,070	1.4 x 3.9 x 42.0	35 x 100 x 1,070	1.6 x 3.9 x 42.0	40 x 100 x 1,070
10	Fork spacing – out-to-out minimum / maximum	in mm	9.5 / 36.2	240 / 920	9.5 / 36.2	240 / 920	9.5 / 36.2	240 / 920
11	Fork carriage to DIN 15 173 A / B / no		2A		2A		2A	
12	Tilt – forward / backward	deg	5.0 / 7.5		5.0 / 7.5		5.0 / 7.5	
13	Overall length	in mm	114.9	2,918	119.2	3,028	120.2	3,054
14	Length to fork face (includes fork thickness)	in mm	72.8	1,848	77.1	1,958	78.1	1,984
15	Overall width	in mm	42.9	1,090	42.9	1,090	42.9	1,090
16	Height with lowered mast	in mm	83.7	2,125	83.7	2,125	83.7	2,125
17	Seat height to SIP	in mm	38.9	987	38.9	987	38.9	987
18	Height to top of overhead guard	in mm	80.7	2,050	80.7	2,050	80.7	2,050
19	Drawbar pull	in mm	22.6	575	22.6	575	22.6	575
20	Minimum outside turning radius	in mm	58.1	1,475	62.4	1,585	62.8	1,595
21	Load distance, axle to fork face	in mm	14.7	373	14.7	373	15.3	389
22	Working aisle width with 1,000 x 1,200 mm pallets, crosswise	in mm	124.9	3,173	129.3	3,283	130.2	3,308
23	Working aisle width with 800 x 1,200 mm pallets, crosswise	in mm	117.8	2,993	122.2	3,103	123.1	3,127
Performance			EP16PNT		EP18PNT		EP20PNT	
24	Travel speed	loaded	mph km/h	10.0 16.0	10.0 16.0	10.0 16.0	10.0 16.0	
25		empty	mph km/h	10.0 16.0	10.0 16.0	10.0 16.0	10.0 16.0	
26	Lift speed (36 Volt)	loaded (36 Volt)	fpm m/s	78.7 0.40	68.9 0.35	66.9 0.34	66.9 0.34	
27		empty (36 Volt)	fpm m/s	110.2 0.56	110.2 0.56	110.2 0.56	110.2 0.56	
28	Lift speed (48 Volt)	loaded (48 Volt)	fpm m/s	98.4 0.50	86.6 0.44	78.7 0.40	78.7 0.40	
29		empty (48 Volt)	fpm m/s	118.1 0.60	118.1 0.60	118.1 0.60	118.1 0.60	
30	Lowering speed	loaded	fpm m/s	102.4 0.52	102.4 0.52	102.4 0.52	102.4 0.52	
31		empty	fpm m/s	98.4 0.5	98.4 0.5	98.4 0.5	98.4 0.5	
32	Gradeability (36 Volt)	loaded at 1 mph (1.6 km/h)	%	13	12	11	11	
33		maximum (empty)	%	30	28	26	26	
34	Gradeability (48 Volt)	loaded at 1 mph (1.6 km/h)	%	27	25	23	23	
35		maximum (empty) (48 Volt)	%	35	35	35	35	
Weight			EP16PNT		EP18PNT		EP20PNT	
36	Empty	with minimum weight battery	lb kg	6,826 3,095	7,171 3,255	7,756 3,520	7,756 3,520	
37	Axle load – with rated load (front)		lb kg	8,743 4,179	9,433 4,469	10,370 4,870	10,370 4,870	
38	Axle load – with rated load (rear)		lb kg	1,083 516	1,239 586	1,386 660	1,386 660	
39	Axle load – without load (front)		lb kg	3,313 1,502	3,462 1,573	3,553 1,610	3,553 1,610	
40	Axle load – without load (rear)		lb kg	3,514 1,593	3,709 1,682	4,203 1,910	4,203 1,910	
Chassis			EP16PNT		EP18PNT		EP20PNT	
41	Tire size – front	in	18 x 7 - 12 1/8		18 x 7 - 12 1/8		18 x 7 - 12 1/8	
42	Tire size – rear	in	15 x 5 x 11 1/4		15 x 5 x 11 1/4		15 x 5 x 11 1/4	
43	Wheelbase	in mm	50.6	1,285	54.9	1,395	54.9	1,395
44	Track width – front (center of tires)	in mm	35.9	912	35.9	912	35.9	912
45	Track width – rear (center of tires)	in mm	6.9	174	6.9	174	6.9	174
46	Ground clearance at lowest point at mast	in mm	3.7	95	3.7	95	3.7	95
47	Ground clearance at center of wheelbase	in mm	3.3	85	3.3	85	3.3	85
48	Service brakes	type	mechanical / hydraulic		mechanical / hydraulic		mechanical / hydraulic	
49	Parking brakes	type	electric		electric		electric	
Electrical			EP16PNT		EP18PNT		EP20PNT	
50	Battery type		lead acid		lead acid		lead acid	
51	Capacity at 6 hr. discharge rate (36 Volt)	Ah kWh	880	31.7	1,100	39.6	1,100	39.6
52	Capacity at 6 hr. discharge rate (48 Volt)	Ah kWh	660	31.7	770	37.0	770	37.0
53	Weight, minimum	lb kg	1,910	865	2,200	1,000	2,200	1,000
54	Weight, maximum	lb kg	2,400	1,090	2,700	1,225	2,700	1,225
55	Battery compartment size, maximum	in mm	39.6x20.8x24.8	1,006x528x630	39.6x25.1x24.8	1,006x638x630	39.6x25.1x24.8	1,006x638x630
56	Drive motor capacity (60 min. rating)	HP kW	6.0 x 2	4.5 x 2	6.0 x 2	4.5 x 2	6.0 x 2	4.5 x 2
57	Lift output (15% rating)	HP kW	15.4	11.5	15.4	11.5	15.4	11.5
58	Drive controls	type	AC transistor		AC transistor		AC transistor	
59	Hydraulic controls	type	AC transistor		AC transistor		AC transistor	
60	Flow rate for attachments	PSI Mpa	2,625	18.1	2,625	18.1	2,625	18.1

Call-out numbers shown in the diagram correspond to the first column of the specifications chart.



Safety Standards

These trucks meet American National Standards Institute/Industrial Truck Standards Development Foundation, ANSI/ITSDF B56.1.

UL-Classified by Underwriters Laboratories, Inc., as to fire and electric shock hazard only. Availability: Types G, LP and D standard. Types GS, LPS and DS optional. Users should be aware of, and adhere to, applicable codes and regulations regarding operator training, use, operation, and maintenance of powered industrial trucks, including:

- ANSI/ITSDF B56.1.
- NFPA 505, fire safety standard for powered industrial trucks — type designations, areas of use, maintenance and operation.
- Occupational Safety and Health Administration (OSHA) regulations that may apply.

Contact your Cat lift truck dealer for further information, including operator training programs and auxiliary visual and audible warning systems, fire extinguishers, etc., as available for specific user applications and requirements. Specifications, equipment, technical data, photos and illustrations based on information at time of printing and subject to change without notice. Some products may be shown with optional equipment.

Note: Equipping this model (these models) with a power source (e.g. Lithium-ion, Hydrogen Fuel cell, etc.) that has not been previously approved by the factory is considered a modification. Per OSHA 1910.178 and ANSI/ITSDF B56.1, please consult with your factory representative prior to installing any non-OEM power source that has not been previously approved.



Your Cat lift truck dealer can provide additional options and features to specialize your lift truck for your unique application. Operator training and custom financing programs are also available to help find the right fit for your business.

Helping move businesses forward – that’s how we’re built.

1-800-CAT-LIFT | www.logisnextamericas.com/cat

© 2026 Logisnext Americas Inc. All Rights Reserved. CAT, CATERPILLAR, LET’S DO THE WORK, and their respective logos “Caterpillar Corporate Yellow”, the “Power Edge” and Cat “Modern Hex” trade dress as well as corporate and product identity used herein are trademarks of Caterpillar used under license and may not be used without permission from Caterpillar. All registered trademarks are the property of their respective owners. Some products may be shown with optional equipment.

CECM00400

03/26

CAT[®] Lift Trucks